

Actuators for safety switches NM.VZ

- ▶ Actuators made of stainless steel
- ▶ Two stainless safety screws per actuator
- ▶ Actuators with optional rubber bushings
- ▶ Narrow design optional

Straight actuator

The straight actuator is used on sliding doors or hinged doors with door radii greater than 150 mm. Safety screws prevent unscrewing of the actuator.

Actuator with rubber bush

For flexible mounting of the actuator.

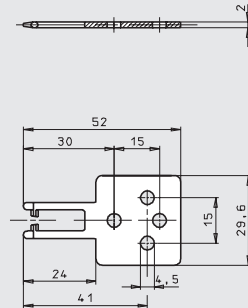
Screws made of stainless steel

The safety screws included can be inserted with a normal tool, but cannot be removed again.

Actuator M-G straight

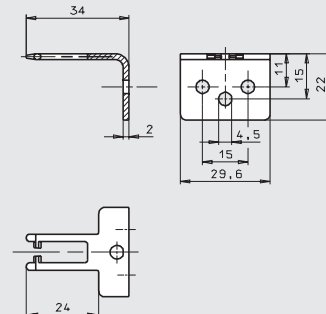
Overtravel 4 mm

Dimension drawings



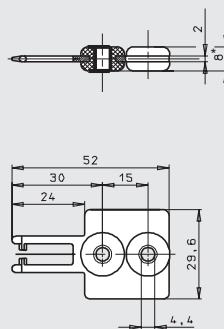
Actuator M-W bent

Overtravel 4 mm



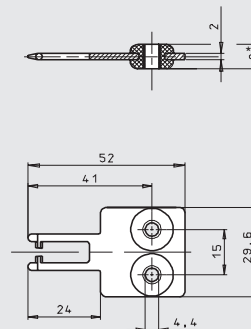
Actuator M-GT straight

Longitudinal rubber bush, overtravel 4 mm



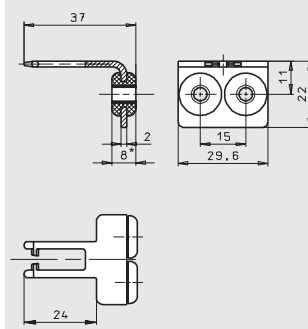
Actuator M-GQ straight

Transverse rubber bush, overtravel 4 mm



Actuator M-WT bent

Rubber bush, overtravel 4 mm



Ordering table

Designation	Version	Min. door radius r [mm]	Packaging unit	Order No.
Actuator straight	M-G 4 mm overtravel incl. 2 safety screws M4 x 14		1 ea.	074 076 ACTUATOR-M-G
Actuator bent	M-W 4 mm overtravel incl. 2 safety screws M5x10		1 ea.	074 077 ACTUATOR-M-W
Actuator straight longitudinal rubber bush	M-GT 4 mm overtravel incl. 2 safety screws M4 x 14		1 ea.	074 078 ACTUATOR-M-GT
Actuator straight transverse rubber bush	M-GQ 4 mm overtravel incl. 2 safety screws M4 x 14		1 ea.	074 079 ACTUATOR-M-GQ
Actuator bent rubber bush	M-WT 4 mm overtravel incl. 2 safety screws M4 x 14		1 ea.	074 080 ACTUATOR-M-WT