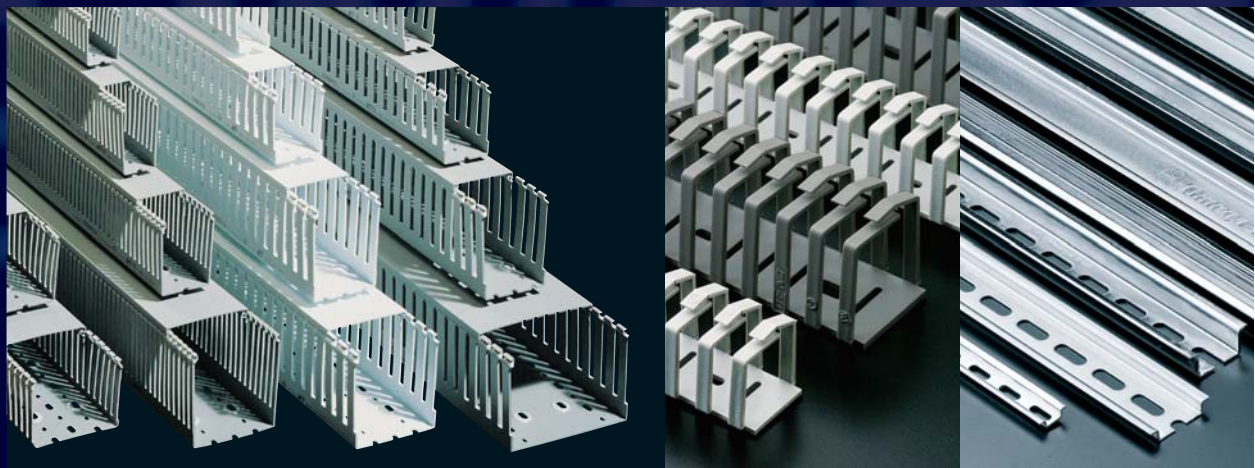
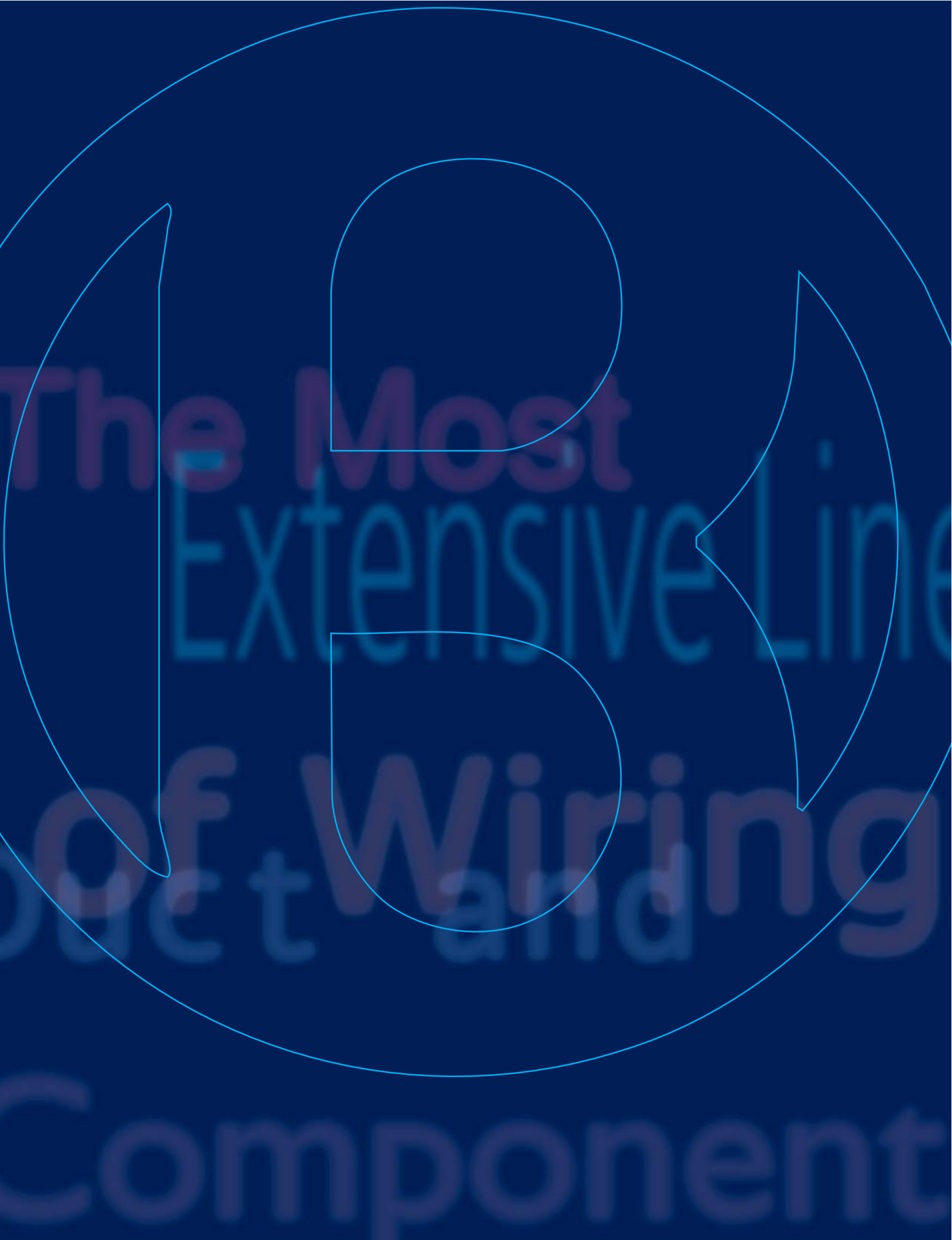


IBOCO®

IBO



Integrated Panel Management



The Most
Extensive Line
of Wiring
Component



IBOCO CORPORATE PROFILE

Since 1986 the IBOCO Corporation has led Italy-based Bocchiotti Group's marketing operations in the United States. The Company, located in Edison, New Jersey is headed by Andrew Kwarciak, President, and Cesare Bocchiotti, Vice President.

BOCCHIOTTI CORPORATE PROFILE

Founded in 1965, IBOCO parent Company BOCCHIOTTI is widely recognized throughout the world as one of the major manufacturers of wire management products, raceways and conduits.

The Bocchiotti Group with more than 500 employees is headquartered in Genoa, Italy and has production plants and warehouses in 8 different locations throughout the Country.

The fully automated systems enable the Company to produce over 170 million feet of wiring duct and raceway per year in 25 different product lines to 38 markets in 37 Countries.

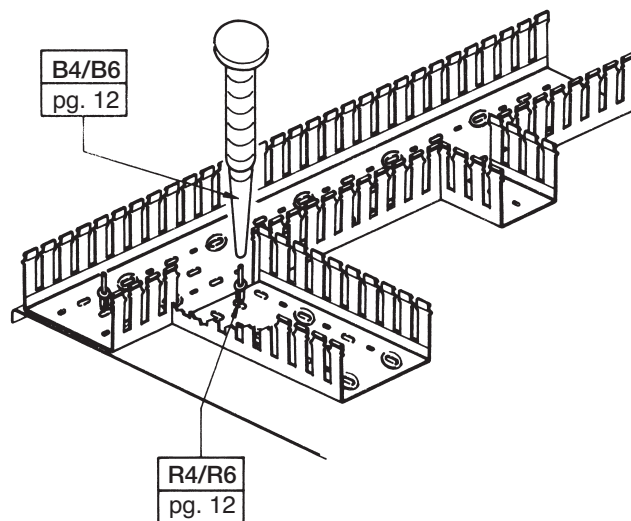
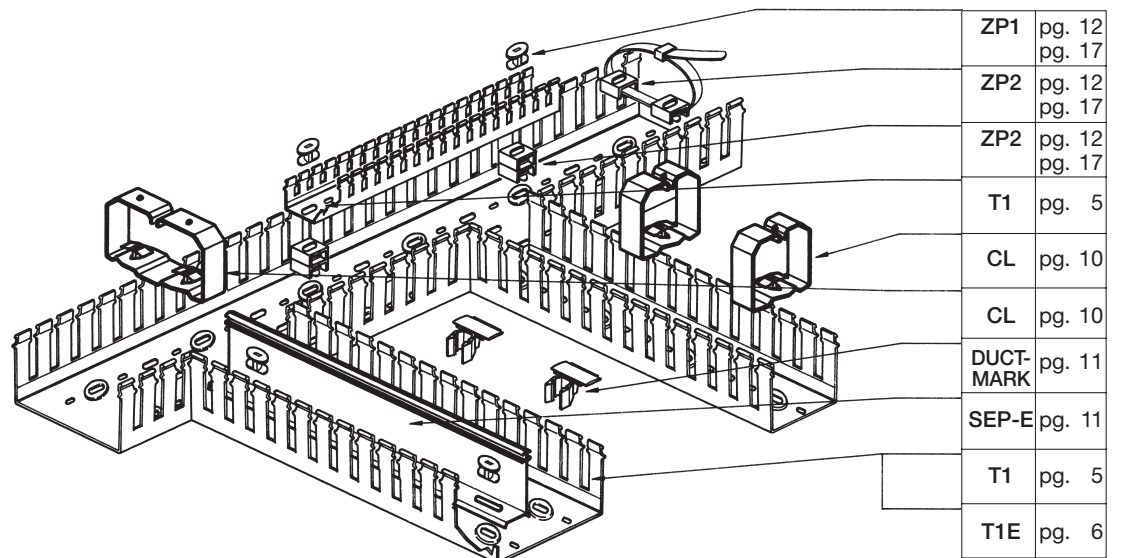
High Standard Products for Advanced and Time-Saving Panel Assembling

Every item in the rapidly expanding product line is designed and produced to meet the needs of original equipment manufacturers, installers, panel builders, and system integrators and complies with UL, CSA, CE and most international certifications. IBOCO's extensive catalog features several product lines: DIN rail, DIN rail accessories, T1 slotted duct, T1-E slotted duct, T1-K black slotted duct, TS solid duct, DINOSAUR flexible duct, cable ties and attachments, Spiralite, braided expandable sleeveings, installation tools and over 40 accessories. The Company's integrated panel management systems continue to evolve and grow to meet the changing needs of panel builders. However, its overriding philosophy remains unchanged: to simplify and accelerate panel building operations including wire identification, retention and separation for panel builders, OEMs', and system integrators in a variety of industries.

A Very Extensive Line of Wiring Duct and Components

IBOCO offers an integrated system of specific solutions for panel builders' needs.

This duct system features 4 styles of duct with up to 35 duct sizes, a complete line of Din rails, and over 40 components and accessories. This combination allows for the simplification and acceleration of panel building operations such as wire retention, identification of equipment/circuits, circuit/wire separation, and the direct mounting of duct and equipment on Din rails.



The IBOCO duct system

simplifies and decreases the time required for the planning and construction of control panels by offering the ability to:

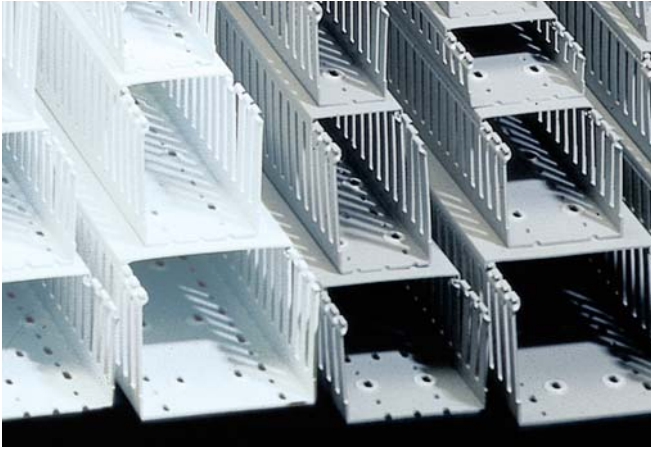
- contain the wires
- identify the switchgear
- mount the wiring duct directly onto mounting rail or internal mounting plate
- build the frame of the panel board
- retain the wires
- achieve extremely compact wiring configurations
- separate circuits with different voltages and/or functions
- form wire bundles

Table of Contents

Wiring duct series	5-8
Wiring duct covers	8
Wire Fill Capacity T1/T1-E	9
Wire Retainers	10
Wiring Duct Separators	11
Identification Tags	11
Wiring Duct Rivets	12
Cable Tie Attachments	12 and 17
Dinosaur "Flexible Duct" (New White)	13
Spiralite	14
Sleeving – Expandable Polyester (New)	14
Din Mounting Rails (New Aluminum)	15
Din Rail Mounting Clips	16
Din Rail Support Brackets	16
Din Rail Mounting Blocks	18
Din Rail-Duct Support Arms	18
Tools	19
Cable Ties	20-21
Cable Mounts	21
Adhesive Backed Duct	22
Technical Characteristics of Materials	23
Chemical Resistant Properties of PVC	24

Alphabetical Index of Catalog Numbers

Catalog Number	Page	Catalog Number	Page
B4	12	R6N	12
B6	12	R6O	12
CL	10	RT4 - RT6	12
COV	8	SEP-E	11
DINBLOK	18	ST	16
DINCLIC	16	STS	16
DINFIX	16	T-1032	19
DM	11	T1	5
DN-A	13	T1-B	7
G1	15	T1-E	6
ICM	21	T1-K New	7
ICT	20-21	TY New	14
IG-11	15	TR1	10
ITT-1	19	TR1-E	10
ITT-2A	19	TS New	8
MSM	18	WT-1/WT-2	19
OMEGA	15	ZP1	12 and 17
P-PA (SPIRALITE)	14	ZP2	12 and 17
R4	12		



T1

DUCT SERIES

Material

Rigid PVC,
self-extinguishing

Color

Light GREY RAL 7030
WHITE

Standard Length

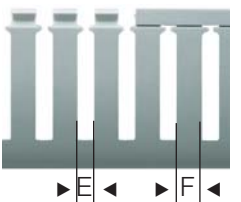
6 Feet 6 3/4 Inches

Standard Unit

Duct complete
with cover

THE MOST COMPREHENSIVE RANGE

NOMINAL 1 1/2"-2 1/4"-3"-4"



NOMINAL 5/8"-1"



All wiring ducts come complete with cover. Wiring duct covers can be sold separately: see page 8 and IBOCO Corp. Price List.

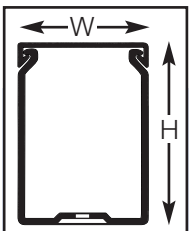
Catalog Number	Nominal Size (WxH)	Dimensions in inches (Actual)				Dimensions WxH (in millimeters)		Standard Carton (Qty)	
		W	H	E	F	Lengths (1)	Feet		
T1-0506G	1/2 x 5/8	.60	.71	.20	.30	15 x 18	20	120	
T1-0510G	1/2 x 1	.60	1.18	.20	.30	15 x 30	20	120	
T1-0522G	1/2 x 2 1/4	.60	2.36	.20	.30	15 x 60	20	120	
T1-1010*	1 x 1	1.00	1.18	.20	.30	25 x 30	18	108	
T1-1015*	1 x 1 1/2	1.00	1.57	.31	.47	25 x 40	18	108	
T1-1022*	1 x 2 1/4	1.00	2.36	.31	.47	25 x 60	24	144	
T1-1030*	1 x 3	1.00	3.15	.31	.47	25 x 80	24	144	
T1-1040*	1 x 4	1.00	3.94	.31	.47	25 x 100	8	48	
T1-1515*	1 1/2 x 1 1/2	1.57	1.57	.31	.47	40 x 40	20	120	
T1-1522*	1 1/2 x 2 1/4	1.57	2.36	.31	.47	40 x 60	18	108	
T1-1530*	1 1/2 x 3	1.57	3.15	.31	.47	40 x 80	16	96	
T1-1540*	1 1/2 x 4	1.57	3.94	.31	.47	40 x 100	8	48	
T1-2215G	2 1/4 x 1 1/2	2.36	1.57	.31	.47	60 x 40	12	72	
T1-2222*	2 1/4 x 2 1/4	2.36	2.36	.31	.47	60 x 60	12	72	
T1-2230*	2 1/4 x 3	2.36	3.15	.31	.47	60 x 80	12	72	
T1-2240*	2 1/4 x 4	2.36	3.94	.31	.47	60 x 100	4	24	
T1-3015G	3 x 1 1/2	3.15	1.57	.31	.47	80 x 40	12	72	
T1-3022*	3 x 2 1/4	3.15	2.36	.31	.47	80 x 60	12	72	
T1-3030*	3 x 3	3.15	3.15	.31	.47	80 x 80	12	72	
T1-3040*	3 x 4	3.15	3.94	.31	.47	80 x 100	4	24	
T1-3050*	3 x 5	2.95	4.92	.31	.47	75 x 125	6	36	
T1-4015G	4 x 1 1/2	3.94	1.57	.31	.47	100 x 40	8	48	
T1-4022*	4 x 2 1/4	3.94	2.36	.31	.47	100 x 60	8	48	
T1-4030*	4 x 3	3.94	3.15	.31	.47	100 x 80	8	48	
T1-4040*	4 x 4	3.94	3.94	.31	.47	100 x 100	4	24	
T1-4050*	4 x 5	3.94	4.92	.31	.47	100 x 125	4	24	
T1-6040*	6 x 4	5.91	3.94	.31	.47	150 x 100	4	24	

Example: T1-0510 G = 1/2"x 1"light GREY duct with cover

(1) Each standard length is actually 6'6 3/4" but is counted as 6 feet for packaging and pricing

* Color - add suffix "G" for light GREY "W" for WHITE

ADHESIVE BACKING - add suffix "A" to catalog number - contact sales office for pricing (see page 22)



Non-slip cover design of minimum encumbrance and maximum grip.



Restricted slot opening for wire retaining.

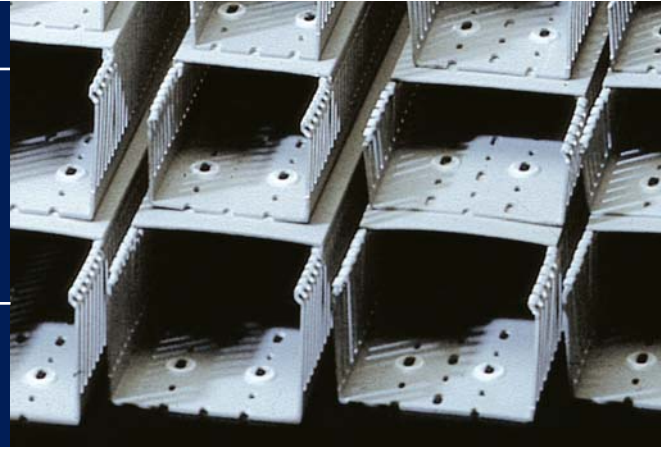
Two predetermined breaklines:
- for breaking off and removal of sidewall finger segments only.
- for removal of sidewall finger and base segments.

Burr-free edges.



Recess boss for rapid mounting of components.

T1-E



DUCT SERIES

Material

Rigid PVC,
self-extinguishing

Color

Light GREY RAL 7030
WHITE

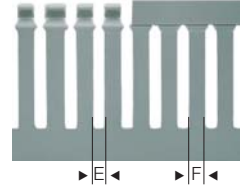
Standard Length

6 Feet 6 3/4 Inches

Standard Unit

Duct complete
with cover

Catalog Number	Nominal Size (WxH)	Dimensions in inches (Actual)				Dimensions WxH (in millimeters)		Standard Carton (Qty) Feet	
		W	H	E	F	W	H	Lengths (1)	Feet
T1E-1015*	1 x 1½	1.00	1.57	.16	.24	25x 40	18	108	
T1E-1022*	1 x 2¼	1.00	2.36	.16	.24	25x 60	24	144	
T1E-1030*	1 x 3	1.00	3.15	.16	.24	25x 80	24	144	
T1E-1515*	1½ x 1½	1.57	1.57	.16	.24	40x 40	20	120	
T1E-1522*	1½ x 2¼	1.57	2.36	.16	.24	40x 60	18	108	
T1E-1530*	1½ x 3	1.57	3.15	.16	.24	40x 80	16	96	
T1E-1540*	1½ x 4	1.57	3.94	.16	.24	40x 100	8	48	
T1E-2215*	2¼ x 1½	2.36	1.57	.16	.24	60x 40	12	72	
T1E-2222*	2¼ x 2¼	2.36	2.36	.16	.24	60x 60	12	72	
T1E-2230*	2¼ x 3	2.36	3.15	.16	.24	60x 80	12	72	
T1E-2240*	2¼ x 4	2.36	3.94	.16	.24	60x 100	4	24	
T1E-3015G	3 x 1½	3.15	1.57	.16	.24	80x 40	12	72	
T1E-3022*	3 x 2¼	3.15	2.36	.16	.24	80x 60	12	72	
T1E-3030*	3 x 3	3.15	3.15	.16	.24	80x 80	12	72	
T1E-3040*	3 x 4	3.15	3.94	.16	.24	80x 100	4	24	
T1E-4015G	4 x 1½	3.94	1.57	.16	.24	100x 40	8	48	
T1E-4022G	4 x 2¼	3.94	2.36	.16	.24	100x 60	8	48	
T1E-4030*	4 x 3	3.94	3.15	.16	.24	100x 80	8	48	
T1E-4040*	4 x 4	3.94	3.94	.16	.24	100x 100	4	24	



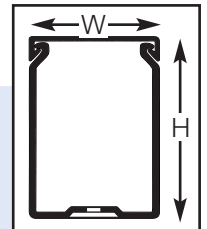
Example: T1E-1015 G = 1"x1½" light GREY duct with cover

(1) Each standard length is actually 6'6 3/4"
but is counted as 6 feet for packaging and pricing

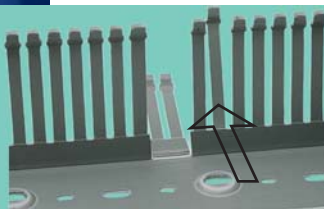
* Color - add suffix "G" for light GREY "W" for WHITE

ADHESIVE BACKING - add suffix "A" to catalog number -
contact sales office for pricing (see page 22)

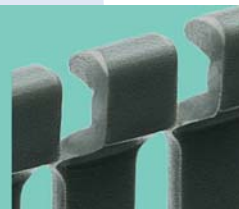
All wiring ducts come complete with cover. Wiring duct covers can be sold separately: see page 8 and IBOCO Corp. Price List.



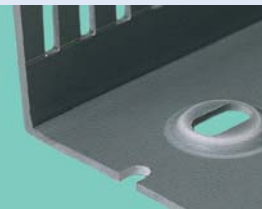
Restricted slot opening for wire retaining.



Two predetermined breaklines:
- for breaking off and removal of sidewall finger segments only.
- for removal of sidewall finger and base segments.



Burr-free edges.



Recess boss for rapid mounting of components.



Non-slip cover design of minimum encumbrance and maximum grip.



T1-K

DUCT SERIES

Material

Rigid PVC,
self-extinguishing

Color

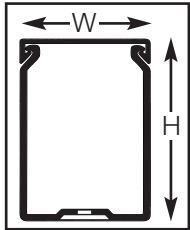
BLACK

Standard Length

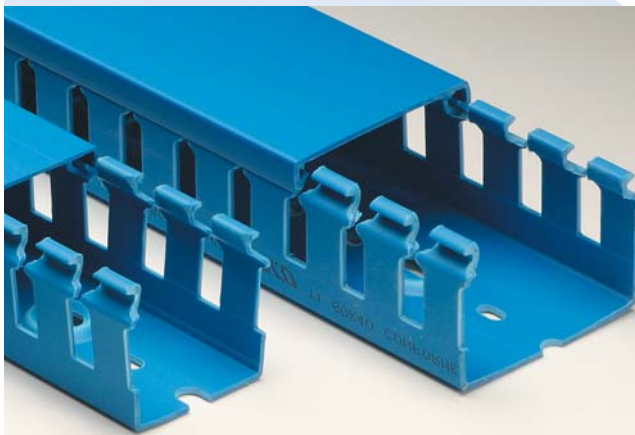
6 Feet 6 3/4 Inches

Standard Unit

Duct complete
with cover



Catalog Number	Nominal Size (WxH)	Dimensions in inches (Actual)				Dimensions WxH (in millimeters)	Standard Carton (Qty)	
		W	H	E	F		Lengths (1)	Feet
T1-1040K	1 x 4	1.00	3.94	.31	.47	25x100	8	48
T1-1530K	1½ x 3	1.57	3.15	.31	.47	40x 80	16	96
T1-2222K	2¼ x 2¼	2.36	2.36	.31	.47	60x 60	12	72
T1-2240K	2¼ x 4	2.36	3.94	.31	.47	60x100	4	24
T1-3030K	3 x 3	3.15	3.15	.31	.47	80x 80	12	72
T1-3040K	3 x 4	3.15	3.94	.31	.47	80x100	4	24
T1-3050K	3 x 5	2.95	4.92	.31	.47	75x125	6	36
T1-4040K	4 x 4	3.94	3.94	.31	.47	100x100	4	24
T1-4050K	4 x 5	3.94	4.92	.31	.47	100x125	4	24



T1-B

Material

Rigid PVC,
self-extinguishing

Color

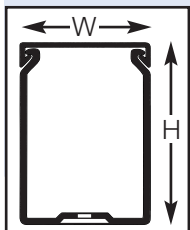
BLUE RAL 5015

Standard Length

6 Feet 6 3/4 Inches

Standard Unit

Duct complete
with cover



Catalog Number	Nominal Size (WxH)	Dimensions in inches (Actual)				Dimensions WxH (in millimeters)	Standard Carton (Qty)	
		W	H	E	F		Lengths (1)	Feet
T1-1010B	1 x 1	1.00	1.18	.20	.30	25x 30	18	108
T1-1022B	1 x 2¼	1.00	2.36	.31	.47	25x 60	24	144
T1-1030B	1 x 3	1.00	3.15	.31	.47	25x 80	24	144
T1-1515B	1½ x 1½	1.57	1.57	.31	.47	40x 40	20	120
T1-1522B	1½ x 2¼	1.57	2.36	.31	.47	40x 60	18	108
T1-1530B	1½ x 3	1.57	3.15	.31	.47	40x 80	16	96
T1-2215B	2¼ x 1½	2.36	1.57	.31	.47	60x 40	12	72
T1-2222B	2¼ x 2¼	2.36	2.36	.31	.47	60x 60	12	72
T1-2230B	2¼ x 3	2.36	3.15	.31	.47	60x 80	12	72
T1-3030B	3 x 3	3.15	3.15	.31	.47	80x 80	12	72
T1-3050B	3 x 5	2.95	4.92	.31	.47	75x 125	6	36
T1-4030B	4 x 3	3.94	3.15	.31	.47	100x 80	8	48
T1-4040B	4 x 4	3.94	3.94	.31	.47	100x100	4	24

Blue color duct recognized for intrinsic safe circuits

NOTE : 1) Each standard length is 6' 6¾" but is considered as 6 feet for the purpose of pricing and packaging.

TS



DUCT SERIES

Material

Rigid PVC,
self-extinguishing

Color

Light GREY RAL 7030

Standard Length

6 Feet 6 3/4 Inches

Standard Unit

Duct complete
with cover



Catalog Number	Nominal Size (WxH)	Dimensions in inches (Actual)		Dimensions WxH (in millimeters)	Standard Carton (Qty)	
		W	H		Lengths (1)	Feet
TS-0506G	1/2 x 5/8	.60	.71	15 x 18	20	120
TS-0510G	1/2 x 1	.60	1.18	15 x 30	20	120
TS-1010G	1 x 1	1.00	1.18	25 x 30	18	108
TS-1015G	1 x 1 1/2	1.00	1.57	25 x 40	18	108
TS-1030G	1 x 3	1.00	3.15	25 x 80	24	144
TS-1515G	1 1/2 x 1 1/2	1.57	1.57	40 x 40	20	120
TS-1522G	1 1/2 x 2 1/4	1.57	2.36	40 x 60	18	108
TS-1530G	1 1/2 x 3	1.57	3.15	40 x 80	16	96
TS-2222G	2 1/4 x 2 1/4	2.36	2.36	60 x 60	12	72
TS-2230G	2 1/4 x 3	2.36	3.15	60 x 80	12	72
TS-3022G	3 x 2 1/4	3.15	2.36	80 x 60	12	72
TS-3030G	3 x 3	3.15	3.15	80 x 80	12	72
TS-3040G	3 x 4	3.15	3.94	80 x 100	4	24
TS-4030G	4 x 3	3.94	3.15	100 x 80	8	48
TS-4040G	4 x 4	3.94	3.94	100 x 100	4	24

Optional adhesive backing available: add suffix "A" to catalog number.
Contact the IBOCO sales office for pricing (see page 22).

COV

COVER FOR T1 T1-E / TS

Material

Rigid PVC,
self-extinguishing

Color

Light GREY RAL 7030
WHITE



Catalog Number	Standard Carton (Qty.) Lengths (1)	Feet
COV-05*	25	150
COV-10*	25	150
COV-15*	25	150
COV-22*	25	150
COV-30*	25	150
COV-40*	20	120
COV-60*	20	120

* Color - add suffix "G" for light GREY RAL 7030
"W" for WHITE
For blue or black covers contact sales office

(1) Each standard length is actually 6' 6 3/4" but is counted as 6 feet for packaging and pricing

Wire Fill Capacity T1/T1-E

Nominal Duct Size	12 AWG	14 AWG	16 AWG	18 AWG	22 AWG
	INSULATION THICKNESS				
	1/32 OD-.158	3/64 OD-.165	1/32 OD-.139	1/32 OD-.125	1/64 OD-.065
1/2 x 5/8	7	6	9	11	14
1/2 x 1	12	11	16	20	24
1/2 x 2 1/4	25	23	33	40	50
1 x 1	22	21	29	36	44
1 x 1 1/2	31	28	39	48	59
1 x 2 1/4	45	40	57	71	85
1 x 3	59	53	75	92	113
1 x 4	72	66	93	115	141
1 1/2 x 1 1/2	51	46	65	81	99
1 1/2 x 2 1/4	77	70	98	121	148
1 1/2 x 3	102	92	130	160	196
1 1/2 x 4	125	113	159	197	241
2 1/4 x 1 1/2	78	70	99	123	150
2 1/4 x 2 1/4	114	103	146	180	221
2 1/4 x 3	156	141	199	246	302
2 1/4 x 4	194	176	247	306	375
3 x 1 1/2	105	95	134	165	203
3 x 2 1/4	159	144	203	251	307
3 x 3	214	193	272	337	412
3 x 4	267	242	341	421	515
3 x 5	309	283	399	493	604
4 x 1 1/2	132	120	169	208	255
4 x 2 1/4	201	182	256	316	387
4 x 3	270	244	344	425	520
4 x 4	336	305	429	531	650
4 x 5	415	381	536	663	812
6 x 4	512	464	653	807	988

Duct-System Base Performance According to DIN 43659 and to DIN VDE 0660 TEIL 506

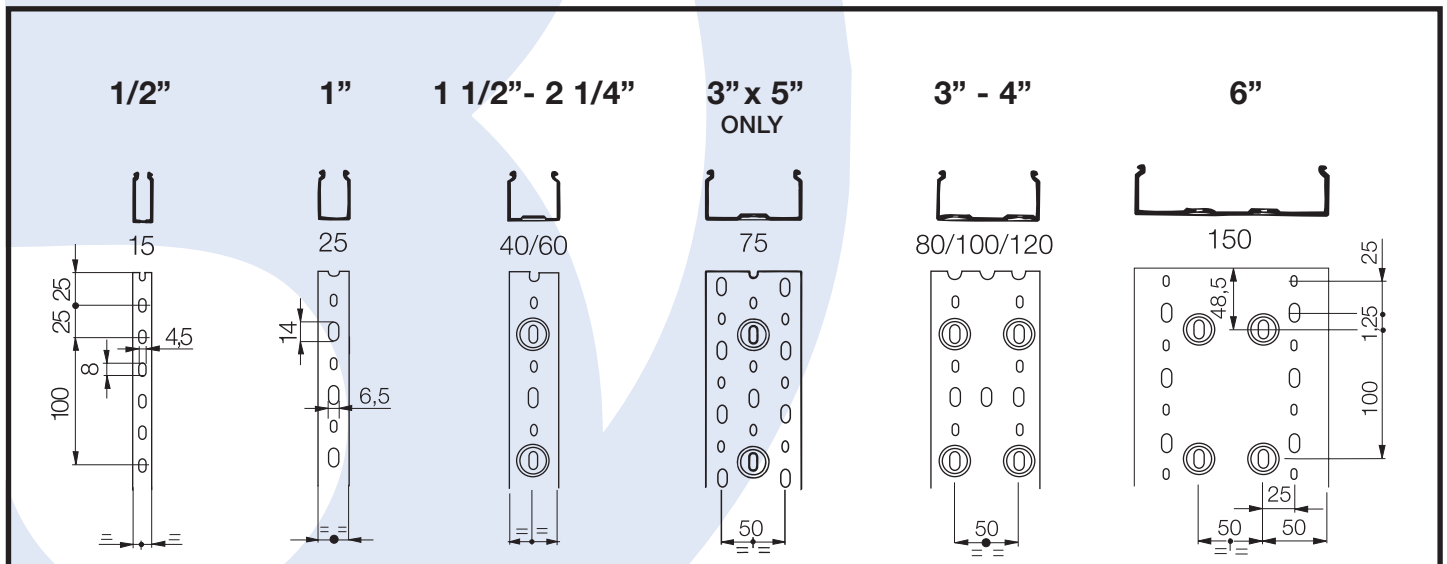
The base performance of the wiring duct series T1 and T1E allows mounting on the panel with DUCTFIX R6 or R4 or on Din mounting rails.

The recess bosses in the base of duct series T1 and T1E permit rapid mounting of components CL, ZP2 and SEP-E inside the wiring duct.

All dimensions shown are in millimeters. For conversion to inches see below. (25.4 millimeters = 1 inch)

millimeters = Inches	millimeters = Inches
4.5	.177
6.5	.256
8	.315
14	.551
15	.591
25	.984
40	1.575
50	1.969
60	2.363
80	3.150
100	3.937

Recommended Maximum Number of Wires To Be Used per Wiring Duct (MTW) BASED ON 60% FILL CAPACITY



CL

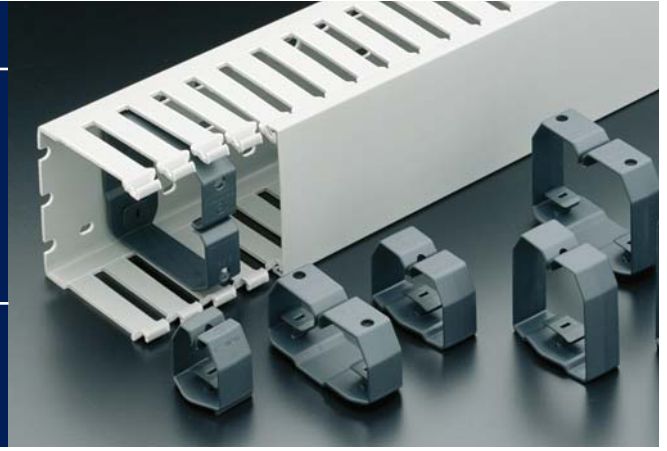
WIRE RETAINERS

Material

Rigid PVC,
self-extinguishing

Color

Dark GREY
RAL 7021



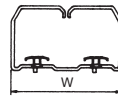
CL Wire Management Retainers

- Retains wires during installation
- Provides additional strain relief of fingers
- Eliminates bulging against sidewall

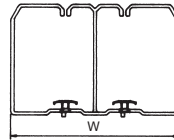
Catalog Number	Number Size (WxH)	Pieces per Carton
CL-1515	1½ x 1½	40
CL-1522	1½ x 2¼	40
CL-1530	1½ x 3	20
CL-2215	2¼ x 1½	40
CL-2222	2¼ x 2¼	20
CL-2230	2¼ x 3	20
CL-2240	2¼ x 4	20
CL-3015	3 x 1½	20
CL-3022	3 x 2¼	10
CL-3030	3 x 3	10
CL-3040	3 x 4	10
CL-4015	4 x 1½	10
CL-4022	4 x 2¼	10
CL-4030	4 x 3	10
CL-4040	4 x 4	5
CL-6040	6 x 4	5



W = 1½ - 2¼



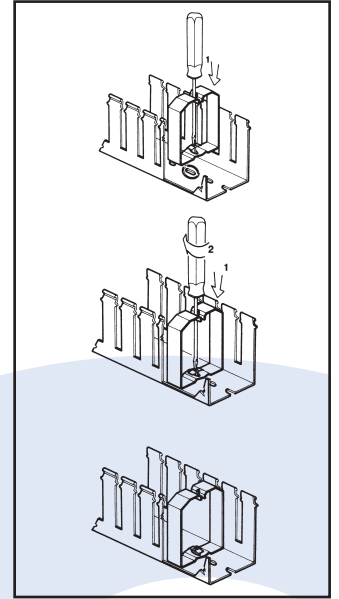
W = 3" - 4"



W = 6"

Catalog number indicates to which duct size (W x H) the CL will fit.
CL wire retainers come complete with mounting elements.

NEW DESIGN avoids fall out of wires especially in ceiling installations.



TR1/TR1-E

WIRE RETAINERS PREDETERMINED BREAKLINES

Material

Rigid PVC,
self-extinguishing

Color

BLACK



Catalog Number	Pieces per Carton
TR1*	50
TR1E**	50

* For T1

** For T1-E

A simple to use wire retainer that mounts on the duct fingers. Has predetermined scorelines so that "one size fits all". The TR1 and the TR1-E can be used on the 6", 4", 3", 2¼" and 1½" T1 and T1-E duct. The quick solution for every panel builder during initial panel wiring and maintenance operation.





SEP-E

SEPARATORS

Material

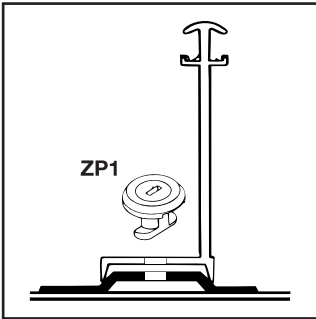
Rigid PVC,
self-extinguishing

Color

Light GREY RAL 7030

Standard Length

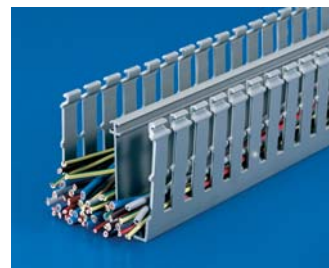
6 Feet 6 3/4 Inches



SEP-E Mounting detail

Catalog Number	Use With Duct Nominal Height	Standard Carton	
		Feet (Meters)	Lengths
SEP-15E	1½	192 (64)	32
SEP-22E	2¼	120 (40)	20
SEP-30E	3	72 (24)	12

SEP-E allows the physical separation of circuits with different voltages and/or functions.



DUCTMARK

IDENTIFICATION TAG

Material Support and Insert

Polyamide 6

Color

BLACK

Slide

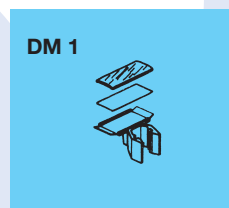
Transparent Polystyrene

Label

White cardboard



Ductmark is mounted by snapping it onto the sidewall finger segments taking care that it is placed above the wires coming out to the sidewall slots.



Catalog Number	Pieces per Carton
DM 1	50

Cannot be used on T1-E Duct.

Resolves in a practical and functional manner the problem of circuit identification.

DUCTMARK

- need not be removed during maintenance or alteration work which involves the removal of the covers
- is always clearly visible

DUCTFIX



WIRING DUCT RIVETS

Material

Polyamide 6

Color

R4 - BLUE

R6N - NATURAL

R6O - ORANGE

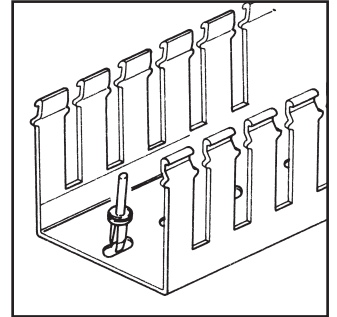
Catalog Number	Pieces per Carton
R4	250
R6N	250
R6O	250

DUCTFIX

- Installs quick and easy using the B4 or B6 rivet tool.
- Can be used to install all types of wiring duct with standard mounting holes.
- Hole size R4 - 5/32" (4 mm) – R6 - 7/32" (5.5 mm)

MAIN FEATURES

- Elastic Vibration - dampening head
- Good temperature resistance
- Excellent mechanic properties
- Extremely short installation time
- Insulating - Functional - Easy To Apply
- R4 - use B4 or RT4 tool
- R6N - use R6 tool
- R6O - use RT6 tool



B4-B6 RT4 - RT6

Catalog Number	Pieces per Carton
B4	1
B6	1
RT4	1
RT6	1

Functional and Sturdy



RIVET TOOLS

Color

B4 - RED

B6 - YELLOW

RT4 - BLUE

RT6 - ORANGE

ZP1-ZP2



MOUNTING INSERTS CABLE ATTACHMENTS

Material

Polyamide 6

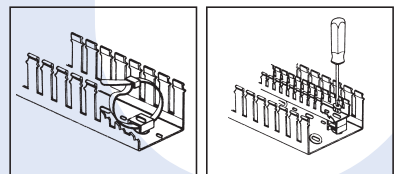
Color

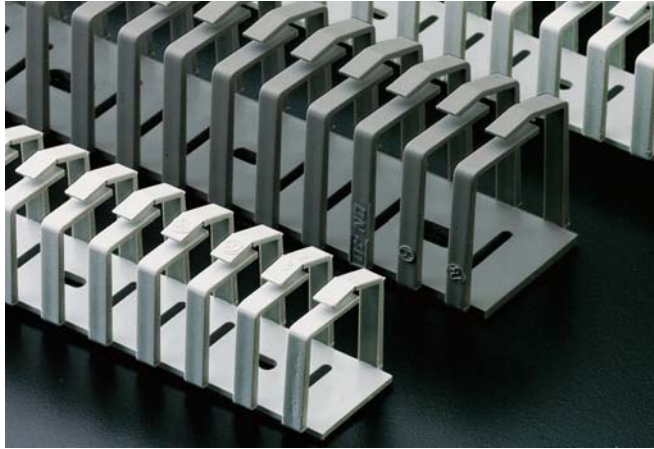
WHITE

Catalog Number	Pieces per Carton
ZP 1	100
ZP 2	50

With a simple quarter turn ZP2 can be mounted inside duct. By stacking, mounting levels at different heights are achieved. For tightening a wire bundle inside duct, pass a cable tie through ZP2.

With a simple quarter turn, ZP1 is used to mount components and SEP-E separators inside duct. Also ZP1 can be used to mount smaller sizes of duct inside larger sizes, thus achieving separation of circuits with different voltages and/or functions.





DINOSAUR

Applicable to
white Dinosaur only

FLEXIBLE DUCTS SELF-ADHESIVE

Dinosaur Duct is a unique product offering from IBOCO that is a flexible, resilient and efficient harnessing solution to your wiring needs. For wiring to cabinet doors, from control panels and for electronic equipment.

For that part of the cable run that leans against the side of the control cabinet.

Available in four sizes with adhesive tape.

- Due to the flexibility of the material individual wires can easily be added, or removed from total wires within the duct.
- Since Dinosaur has no cover it can accommodate cables in restricted space applications, and also effectively removes the need for cable ties.
- It can be used in extreme operating conditions (i.e. max. temp. up to 176°F) and has excellent resistance to radiation if exposed to a nuclear environment.
- Dinosaur withstands mechanical stress when installed (i.e. earthquake, falling equipment) while in the event of fire does not emit corrosive, nor toxic gases, and smoke development is minimal.
- The duct can be cut to desired length using scissors or knife.

When applying the Dinosaur with adhesive tape, (DN-10A, DN-20A, DN-30A, DN-40A) it is necessary to make sure that the surface is perfectly clean and dry.

Plus Efficiency

- Cut labor by up to 75%.
- Puts an end to cable ties and spiral wrap.
- Individual wires can be added or removed from a group as often as necessary—effortlessly.

Plus Versatility

Ideal for wiring to cabinet doors, from control panels, and for electronic equipment.

Catalog Number	Nominal Size	Lengths* per Carton
DN-10A**	1/2 x 1/2	42
DN-20A**	3/4 x 3/4	64
DN-30A**	1 x 1	36
DN-40A**	1 1/2 x 1 1/2	20

* Each length is 19.7 inches (500 mm)

** Color: add suffix "G" for GREY or "W" for WHITE



Material

Polypropylene
self-extinguishing,
non-toxic

Color

GREY RAL 7030
WHITE

Standard Length

19.7 inches (500 mm)

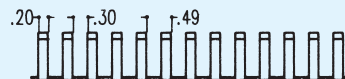
DN-10A



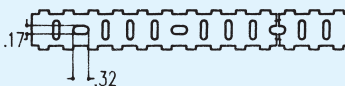
BOTTOM PERFORATIONS
DN-10A



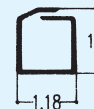
DN-20A



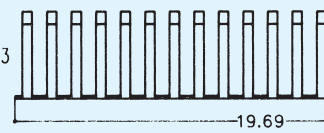
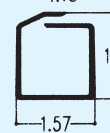
BOTTOM PERFORATIONS
DN-20A / DN-30A



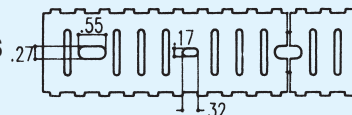
DN-30A



DN-40A



BOTTOM PERFORATIONS
DN-40A



SPIRALITE

UNIVERSAL SPIRAL WRAPS

Material

Polyethylene
Natural (P)
Polyethylene
self-extinguishing (PA)

According
to ASTM D 635



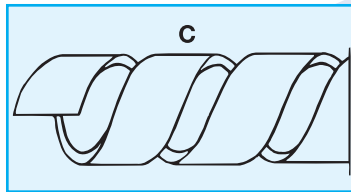
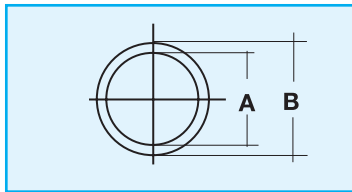
Catalog Number	Dimensions Inches			For Wire Bundles	Feet Per Carton
	A	B	C		
P1 - PA1	.06	.12	.20	1/16 to 1/2"	160
P2 - PA2	.16	.24	.31	1/4" to 2"	80
P3 - PA3	.31	.39	.47	3/8" to 3"	80
P4 - PA4	.35	.47	.47	1/2" to 4"	65

Black available, contact sales office.

Essential

- for fast and economical grouping of wire bundles.
- for joining groups of wires and/or tubing for fluidic/pneumatic machine control.
- for flexible connections between panel and door.

Robust, yet simple to install, it gives mechanical protection to the wire bundle which remains flexible although rigidly held. Easily removed, it can be re-used in the case of temporary wiring.



SLEEVING

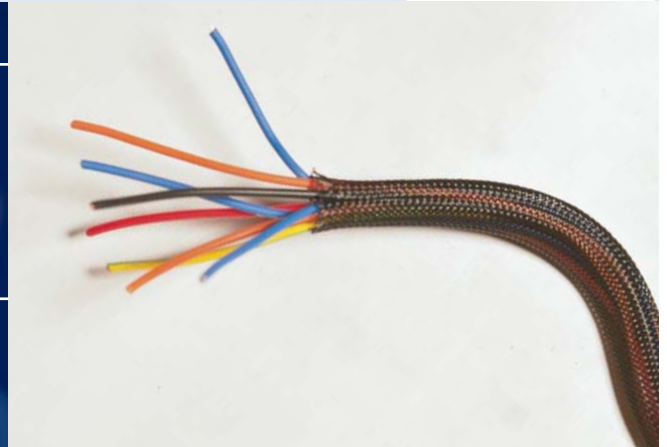
BRAIDED EXPANDABLE SLEEVING

Material

Polyester

Color

BLACK - GREY



Catalog Number	Nominal I.D.		Nominal Diameter Range		QTY Per Pack Feet
	Inches	(mm)	Inches	(mm)	
TY-5*	.197	(5)	.157	(4) to .472	(12) 325
TY-10*	.375	(10)	.315	(8) to .866	(22) 325
TY-20*	.750	(20)	.630	(16) to 1.378	(35) 164
TY-30*	1.125	(30)	.984	(25) to 1.890	(48) 164
TY-50*	2.000	(50)	1.575	(40) to 2.835	(72) 164

Polyester - Halogen Free - Rated -58°F to +302°F (-50°C to +150°C)
* Color - add suffix "G" for GREY and "B" for BLACK

Product Characteristics

Operating temperature: -50°C to +150°C
Physical properties: Self-extinguishing for UL 94V2
Maximum elongation: 42%
Diameter expansion: 100%
Other: Halogen - free

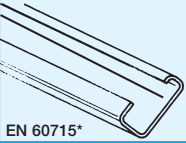
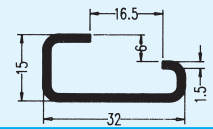
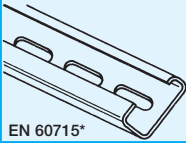
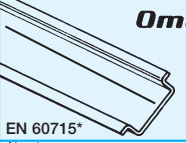
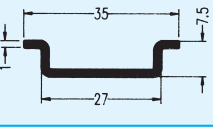

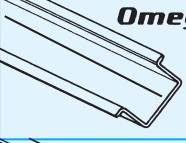
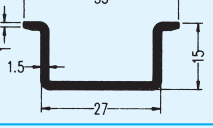

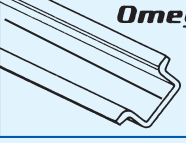
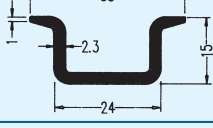
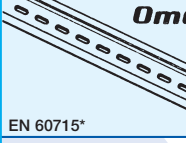


DIN RAILS

RoHS compliant

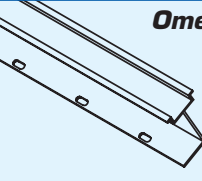
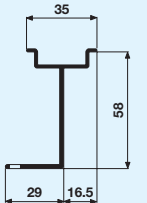
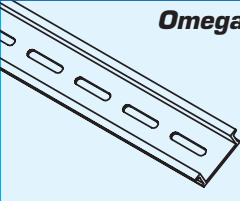
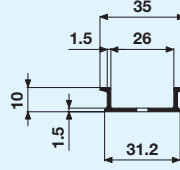
Treated with galvanic zinc plating and passivation (gal Zn 8c according to Din 50960)
Minimum thickness 6 microns
Standard length: 2 meters (6'6¾")

The most comprehensive range of *Din metal mounting rails*

 EN 60715*		 EN 60715*
 EN 60715*	 EN 60715*	 EN 60715*
 EN 60715*	 EN 60715*	 EN 60715*
 EN 60715*	 EN 60715*	 EN 60715*

Omega 75 75 mm x 25 mm
EN 60715*

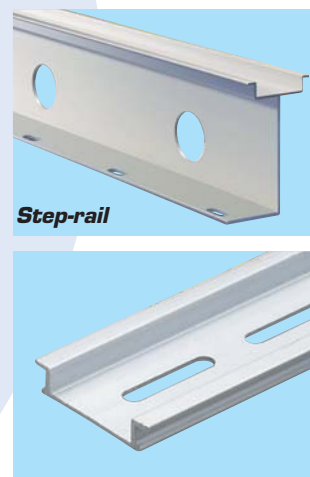
CENTER LINE
The unperforated mounting rails (G1/OMEGA 3/OMEGA 3A/ OMEGA 3B) have a center line in order to expedite the drilling of the mounting holes.

 EN 60715*		 EN 60715*	
--------------------------------------------------------------------------------------------------	-------------------------------------------------------------------------------------	--------------------------------------------------------------------------------------------------	--------------------------------------------------------------------------------------

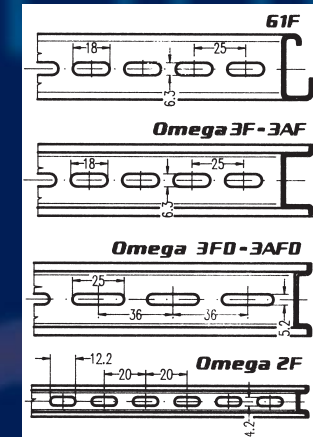
Catalog Number	Lengths Per Pack
G1	12
G1F	12
OMEGA 2F	20
OMEGA 2F1	40*
OMEGA 3	20
OMEGA 3F	20
OMEGA 3F1	40*
OMEGA 3FD	20
OMEGA 3A	10
OMEGA 3AF	10
OMEGA 3AF1	20*
OMEGA 3AFD	10
OMEGA 3B	10
OMEGA 3B1	10*
OMEGA 75	2

Catalog Number	Lengths Per Pack
ALUMINUM	
OMEGA 32A1	6*
OMEGA 32A2	6
OMEGA 3FAL1	40*
GROMMET	
IG-11	10
COPPER	
OMEGA 3ACU	1
STAINLESS STEEL	
OMEGA 3SS	2
OMEGA 3SS1	6*

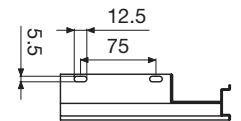
*One meter long



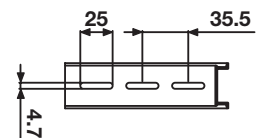
Bottom perforation



Omega 32A1 32A2



Omega 3FAL1



In compliance with EN 60715 standard

DINCLIC

MOUNTING CLIPS

Material

Zinc plated steel



With its help, one can snap onto all the mounting rails (except OMEGA 2F) those small switching devices which are not made for mounting on DIN rails.

Catalog Number	Pieces per Pack
DINCLIC DM4	40
DINCLIC FM4	40
DINCLIC FM5	40
DINCLIC FM8	20

Dinclic DM4 For mounting on rail G1, G1F
 Dinclic FM4 - FM5 For mounting on OMEGA 3 - OMEGA 3A - OMEGA 3F
 OMEGA 3AF - OMEGA 3B - OMEGA 3FD

Screw size
 FM4 and DM4 - 4 mm
 FM5 - 5 mm (US 10-32 can be used)



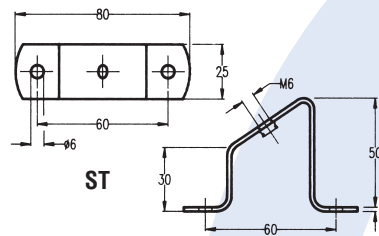
DINCLIC FM8
 IN ACETAL HOMOPOLYMER PLASTIC
 (USE #8 SELF-TAPPING SCREW)
 OTHER SCREW SIZES
 AVAILABLE CONTACT (IBOCO)

ST-ST5

DIN RAIL SUPPORT BRACKETS

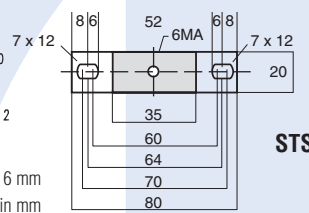
Cold-rolled steel
 treated with galvanic zinc
 plating and passivation

Catalog Number	Pieces per Pack
ST	10
STS 25	10
STS 50	10
STS 70	10
STS 90	10

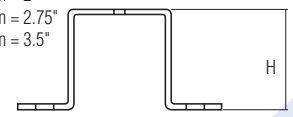


6 mm screws
 included

ST and STS screw size 6 mm
 All dimensions shown are in mm



H 25 mm = 1"
 50 mm = 2"
 70 mm = 2.75"
 90 mm = 3.5"



DINFIX

MOUNTING CLIPS

Material

Acetal resin (delrin) and
 galvanized steel

Catalog Number	Pieces per Pack
DINFIX 64	50
DINFIX 53	50

Dinfix permits the smooth mounting of metal rails on the mounting rail G1, thus allowing the construction of supporting frames for switchgear and wiring duct. DINFIX furthermore offers the possibility of installing onto the parallel rail G1, switchgear of a certain size and weight (e.g. transformers or contactors) that are not predisposed for snap-on assembly on Omega 3/3A/3B.

Service Temperature Limit (4°F to 212°F)



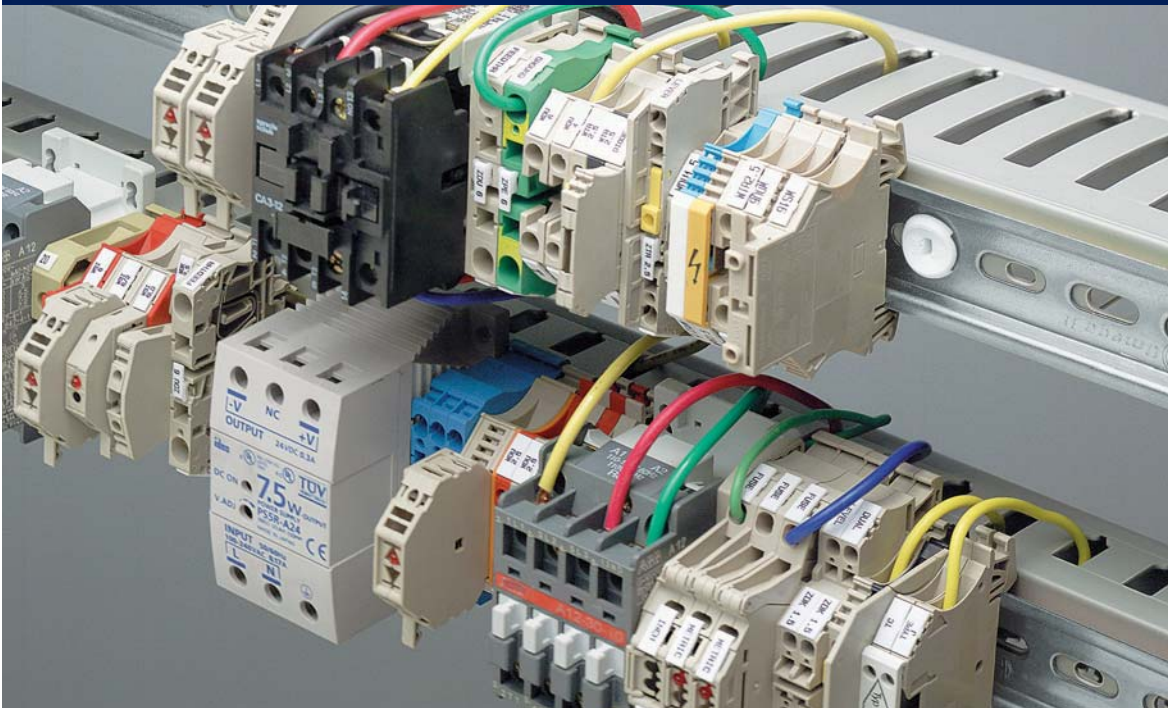
Dinfix 53 (BLACK) Ø M5
 Dinfix 64 (WHITE) Ø M6 Ø M3 Ø M6 Ø M4

Once they are mounted, the Dinfix form a strong mounting plane at the level of the upper flange of the rail G1.



Panel Management

With IBOCO 's Space Saver Panel Management System



Save Space

Use up to 30% less panel space

Save Labor

Installations are clean and simple with ZP-1 mounting inserts

Save Money

Use smaller enclosures for your next project

In a dual entry or swing out panel application, this new and innovative panel management system provides a faster, effective and efficient installation.



ZP1-ZP2

MOUNTING INSERTS CABLE ATTACHMENTS

Material

Polyamide 6

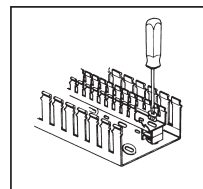
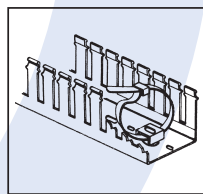
Color

WHITE

Catalog Number	Pieces per Carton
ZP 1	100
ZP 2	50

With a simple quarter turn ZP2 can be mounted inside duct. By stacking, mounting levels at different heights are achieved. For tightening a wire bundle inside duct, pass a cable tie through ZP2.

With a simple quarter turn, ZP1 is used to mount components and SEP-E separators inside duct. Also ZP1 can be used to mount smaller sizes of duct inside larger sizes, thus achieving separation of circuits with different voltages and/or functions.



DINBLOK

MOUNTING BLOCKS

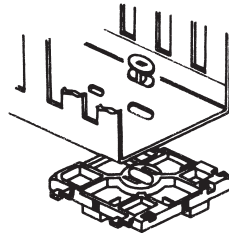
Material

Acetal Resin

Color

GREY RAL 7030

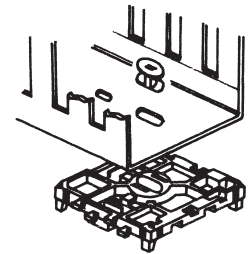
BLACK



Dinblok 1

Dinblok 1
for mounting rails
G1 type
Color: GREY RAL 7030

Dinblok 3
for mounting rails
Omega 3 type
Color: BLACK



Dinblok 3

Catalog Number	Pieces per pack.
DINBLOK 1	25
DINBLOK 3	25

All DINBLOKS come complete with ZP1

MSM

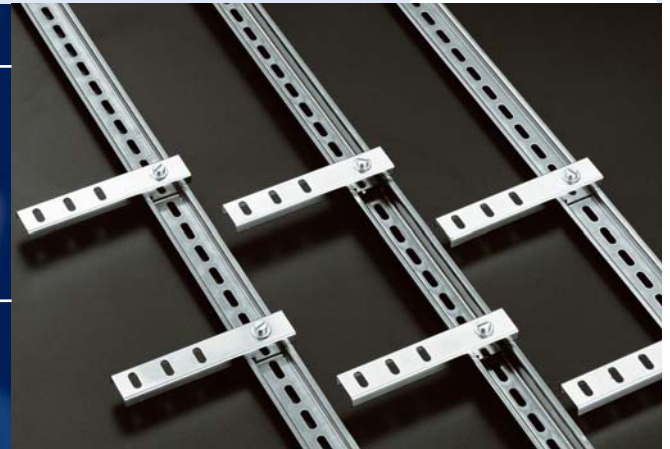
DUCTS SUPPORT ARMS

Material

Steel

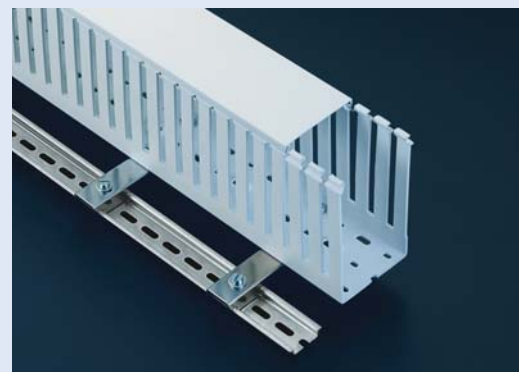
Color

CHROME



Catalog Number	Pieces per Pack
MSM	10

This provides added support and strength to your duct system and allows for mounting up to 4" wide duct to the side of our 35 mm Din rail.



TOOLS

WT-1 Wiring Duct Cutter



Features and Benefits

- Heavy-duty stainless steel blade
- Easy-grip handle
- Smooth, burr-free cuts on duct and cover
- Quick, easy cutting
- For use with all IBOCO wiring duct products, including DINOSAUR DUCT

Catalog Number	Pieces per Pack
WT-1	1
WT-2	1

T-1032 Side Wall Cutting Tool



Features and Benefits

- Cuts lower scoreline cleanly
- Reduces installation time
- Unique design provides burr-free edges
- Heavy-duty construction
- Replacement blades (B-1035) are available

Catalog Number	Pieces per Pack
T-1032	1

Cable Tie Installation Tools

ITT-1



Catalog Number	Pieces per Pack
ITT-1	1
ITT-2A	1

ITT-2A



ICT

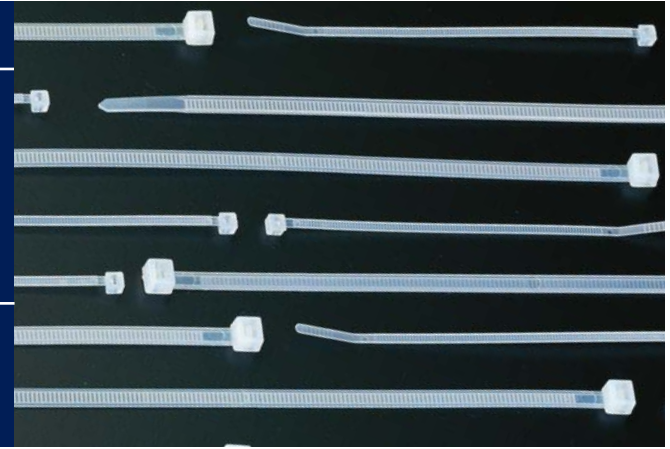
CABLE TIES

Material

6/6 Nylon

Color

NATURAL - BLACK



Catalog Number	Quantities Available	Length in.	Length (mm)	Min. Loop Tensile Strength	Maximum Bundle Dia. in.	Maximum Bundle Dia. (mm)	
ICT-18R*	C-M	4.1	(104)	18 LBS.	.875	(22)	
ICT-18RB*	C-M	"	"		"	"	
ICT-18L	C-M	6.2	(157)		"	1.63	(41)
ICT-18LB	C-M	"	"		"	"	"
ICT-18V	C-M	8.2	(208)		"	2	(50)
ICT-18VB	C-M	"	"		"	"	"
ICT-40R*	C-M	5.7	(144)	40 LBS.	1.38	(35)	
ICT-40RB*	C-M	"	"		"	"	"
ICT-40L	C-M	8.8	(223)		"	2.13	(54)
ICT-40LB	C-M	"	"		"	"	"
ICT-50R*	C-M	7.5	(191)	50 LBS.	1.75	(44)	
ICT-50RB*	C-M	"	"		"	"	"
ICT-50T*	C-D	11.3	(287)		"	3	(76)
ICT-50TB*	C-D	"	"		"	"	"
ICT-50L*	C-D	14.5	(368)		"	4	(102)
ICT-50LB*	C-D	"	"		"	"	"
ICT-120R*	C	15.1	(383)	120 LBS.	4.25	(108)	
ICT-120RB*	C	"	"		"	"	"
ICT-120T	L	17.8	(452)		"	5.25	(133)
ICT-120TB	L	"	"		"	"	"
ICT-120V	L	24.2	(614)		"	7	(178)
ICT-120VB	L	"	"		"	"	"
ICT-120X*	L	28	(711)		"	8	(203)
ICT-120XB*	L	"	"		"	"	"

Suffix B indicates BLACK
For other colors contact sales office

*MIL-SPEC Ties

EXTRA HEAVY DUTY

Catalog Number	Quantities Available	Length in.	Length (mm)	Min. Loop Tensile Strength	Maximum Bundle Dia. in.	Maximum Bundle Dia. (mm)	
ICT-175V*	L	25.3	(642)	175 LBS.	7.2	(183)	
ICT-175VB*	L	"	"		"	"	"
ICT-175R*	L	33.1	(840)		"	9.75	(248)
ICT-175RB*	L	"	"		"	"	"
ICT-175T*	L	47.8	(1214)		"	15	(381)
ICT-175TB*	L	"	"		"	"	"
ICT-250R*	C	22.8	(579)	250 LBS.	6	(152)	
ICT-250RB*	C	"	"		"	"	"

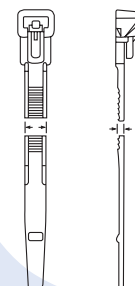
Suffix B indicates BLACK

*MIL-SPEC Ties

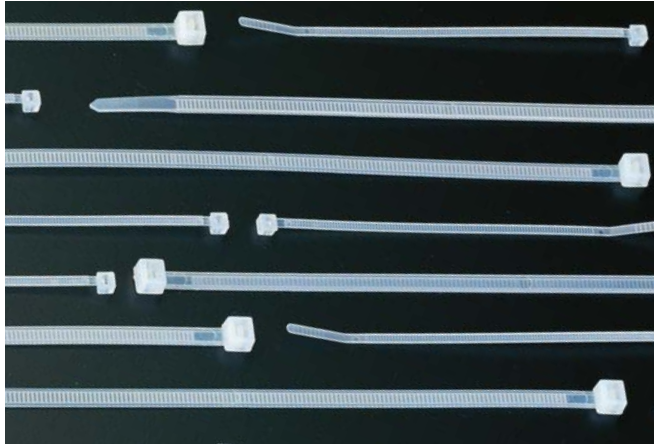
RELEASABLE

Catalog Number	Quantities Available	Length in.	Length (mm)	Min. Loop Tensile Strength	Maximum Bundle Dia. in.	Maximum Bundle Dia. (mm)	
ICT-50RLR	C	5.9	(149)	50 LBS.	1.25	(32)	
ICT-50RLRB	C	"	"		"	"	"
ICT-50RLS	C	7.9	(200)		"	2	(51)
ICT-50RLSB	C	"	"		"	"	"
ICT-50RLL	C	11.9	(302)		"	3	(76)
ICT-50RLLB	C	"	"		"	"	"

Suffix B indicates BLACK



ICT



CABLE TIES

Material

6/6 Nylon

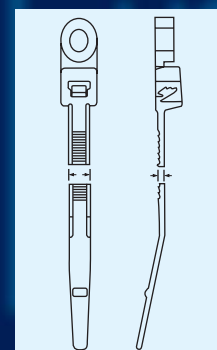
Color

NATURAL - BLACK

MOUNTING HOLES

Catalog Number	Quantities Available	Length in. (mm)	Min. Loop Tensile Strength	Maximum Bundle Dia. in. (mm)	Screw Hole
ICT-30MHR ICT-30MHRB	C-M C-M	6 (152)	30 LBS.	1.25 (32)	NO.8
ICT-50MHS ICT-50MHSB ICT-50MHT ICT-50MHTB ICT-50MHL ICT-50MHLB	C-M C-M C-D C-D C-D C-D	8 (205) 11.8 (299) 14.5 (368)	50 LBS.	1.75 (44) 3 (76) 4 (102)	NO.10
ICT-120MHL ICT-120MHLB	C C	15.7 (398)	120 LBS.	4 (102)	NO.10

Suffix B indicates BLACK

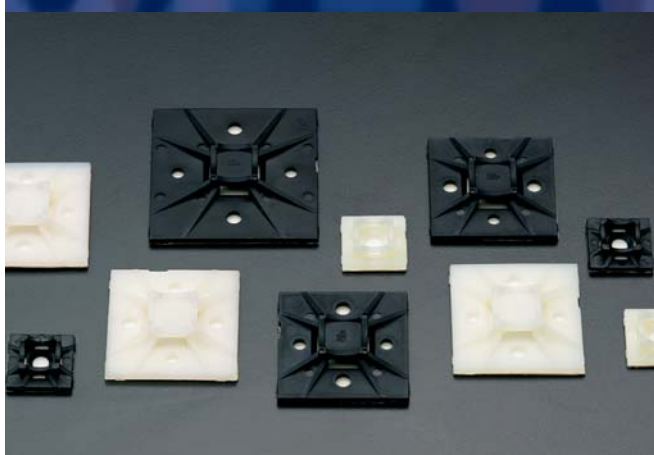
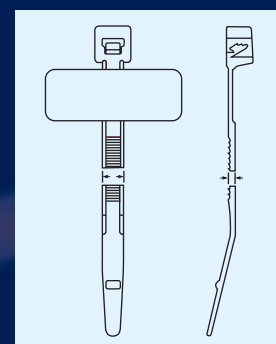
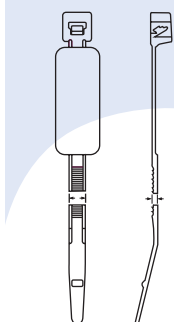


IDENTIFICATION & FLAG TAGS

Catalog Number	Quantities Available	Length in. (mm)	Min. Loop Tensile Strength	Maximum Bundle Dia. in. (mm)	Pad Size
ICT-18IDR ICT-18FLR	C C	4 (101)	18 LBS.	63 (16)	5/16 x 1 5/16 x 13/16
ICT-50IDS ICT-50IDL	C C	7.8 (200) 14 (358)	50 LBS.	1.75(44) 4(102)	1/2 x 1/8 1/2 x 2 1/4

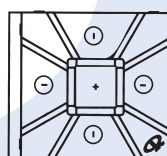
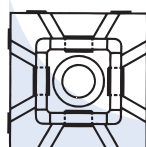
Add following suffix to number to indicate quantity
M=1,000 pc package (ie..ICT-18R-M)
D= 500 pc package (ie..ICT-50R-D)
C= 100 pc package (ie..ICT-18R-C)
L= 50 pc package (ie..ICT-120R-L)

For additional colors/sizes contact factory



ICM-75 and 100

ICM-200



Catalog Number	Pieces per Pack *
ICM-75	100
ICM-100	100
ICM-200	100

Add suffix M to number when ordering 1000 pc package (ie..ICT-18R-M)

Suffix B indicates BLACK



ICM

CABLE MOUNTS

Material

6/6 Nylon

Color

NATURAL - BLACK

Adhesive Backed Duct

Adhesive tape can be applied to all sizes of our T1, T1E and TS Wiring Duct Series products.

Adhesive backing can be used for the following applications:

1) TEMPORARY MOUNTING (See Table Below):

Gives installer ample time to secure duct (rivets or screws) with precision and accuracy.

2) PERMANENT MOUNTING:

Significantly reduces labor costs and time by eliminating the need to drill or tap holes during installation. IBOCO recommends the entire width of the duct be covered with an Acrylic based adhesive tape. Contact factory for pricing;

Note: IBOCO recommends that, when using acrylic tape, approximately 12 hours of curing time is allowed.

**Factory Applied Tape
(Temporary Mounting)
Rubber Based Only**

Duct Size W x H	Rows of Tape	Tape Size (in)	Tape Thickness
.5 x .5 Thru 1.5 x 2.25	1	.50	.0313
1.5 x 3 Thru 3 x 2	2	.50	.0313
3 x 3 Thru 3 x 5	2	.75	.0313
4 x 1.5 Thru 4 x 5	2	.75	.0313
6 x 4	3	.75	.0313

Tape Specifications:

- * Double-sided rubber based polyolefin foam tape
- * Application Temperature Range 65° F to 100° F
- * General Service Temperature -20° F to 175° F

Please add an "A" to the part number when ordering (i.e. T1-2230GA).

Adhesive is applied as ordered.

For pricing please contact the factory.

Rolls of Adhesive to Purchase Separately

Part Number	Tape Size (in)	Roll Length (ft)
Acrylic		
MT-32A88	.875	216
MT-32A150	1.5	216
MT-32A212	2.125	216
Rubber		
MT-32A50	.50	216
MT-32A75	.75	216

Technical Characteristics of Materials

IBOCO wiring products respond to all installation needs, coping with different uses and environment applications. They are manufactured with high quality materials that undergo severe quality controls and performance tests under extreme operating and duration conditions with a constant control of quality standards.

- WIRING DUCTS T1, T1-E, T1-K, T1-B, TS, SEP-E, CL, COV, TR1 and TR1-E are manufactured in rigid SELF-EXTINGUISHING PVC.
- Those components for which high bending resilience is required are in polyamide 6 and polypropylene.
- SPIRALITE is manufactured in natural polyethylene and self-extinguishing polyethylene.

MATERIALS			PVC DUCT	PVC MOULDED COMPONENTS	POLYAMIDE 6	POLYETHYLENE	FLAME RETARDANT POLYETHYLENE
TECHNICAL CHARACTERISTICS							
CHEMICAL-PHYSICAL PROPERTIES	UNIT OF MEASURE	STANDARD	Value	Value	Value	Value	Value
Specific gravity	g/cm ³	ASTM D792	1.55	1.32	1.14	0.92	0.97
H ₂ O 73,4° F absorption	%	ISO 62	<0,1	<0,1	2,5	<0,1	<0,1
Formaldehyde	ppm	–	absent	absent	absent	absent	absent
Cadmium	ppm	–	absent	absent	absent	absent	absent
MECHANICAL PROPERTIES							
Tensile stress at break	MPa	ASTM D638	39	30	45	17	15
Traction strength	MPa	ASTM D638	44	27	55	9,5	9
Elongation at break	%	ASTM D638	130	97	250	400	600
Modulus of elasticity at traction	MPa	ASTM D638	4400	–	950	–	240
Modulus of elasticity at flexion	MPa	ASTM D790	3200	–	1100	210	130
THERMAL PROPERTIES							
Temperature VICAT	°C	ASTM D1525	84	70	198	89	–
HDT	°C	ASTM D648	72	60	185	–	–
Coefficient of expansion	K ⁻¹	ASTM D696	6 10 ⁻⁵	8 10 ⁻⁵	8-10 10 ⁻⁵	22 10 ⁻⁵	10 ⁻⁵
Specific heat	kJ/kgK	ASTM C351	0,94	1,24	1,7	–	–
Thermal conductivity	W/mK	ASTM C177	0,14	0,14	0,29	0,32	0,32
ELECTRICAL PROPERTIES							
Dielectric constant	–	ASTM D150	3,2 - 4,0	3,2	5,0	2,4	2,3
Dielectric strength	kV/mm	IEC 243	70	60	35	90	90
Surface resistance	Ohm	IEC 93	10 ¹³	10 ¹³	5 10 ¹¹	10 ¹³	10 ¹³
SELF-EXTINGUISHING							
Self-extinguishing 1,6 millimeters	–	UL 94	V0	V0	V2	HB	V2
Self-extinguishing 3,2 millimeters	–	UL 94	V0	V0	V2	HB	V2
Glow wire test (2 mm)	°C	IEC 695-2-1	960	960	650	650	850
Oxygen number	%	ASTM D2863	43	34	25	–	25

Rigid PVC Resistance to Chemical Agents

Chemical	Concentration	Temp. °C	Resistance	Chemical	Concentration	Temp. °C	Resistance
Acetic acid, hydrous	25%	40	+	Hexane		20	+
Acetic acid	100%	20	0	Hydrochloric acid	30%	40	+
Acetone	traces	20	–	Hydrogen	100%	60	+
Acetone	100%	20	–	Lead acetate, hydr.	saturated	50	+
Acqua regia		20	0	Lead tetra-ethyl	100%	20	+
Aluminium chloride, hydrous	thinned	40	+	Linseed oil	100%	60	0
Aluminium sulphate, hydr.	thinned	40	+	Lubricating oils	100%	20	+
Ammonia, concentrate	saturated	40	+	Methanol	100%	40	+
Ammonia, dry gas	100%	60	+	Milk	normal	20	+
Ammonia, liquid	100%	20	0	Mineral oil	100%	20	+
Aniline, pure	100%	20	–	Molasses		20	+
Antifreeze	commercial	20	+	Naphtalene		20	–
Arsenic acid, hydr.	thinned	40	+	Nitrous acid, liquid	30%	50	+
Barium hydroxide, hydr.		60	+	Oils and fats	commercial	60	+
Barium salts, hydr.		60	+	Oil of turpentine	100%	60	0
Beer	commercial	20	+	Ozone	100%	20	+
Bee's wax	commercial	20	+	Paraffin wax		60	+
Benzene	100%	20	+	Petroleum		20	0
Benzoic acid		20	+	Photographic developer	commercial	40	+
Bleaching lye	usual conc.	40	+	Photographic emulsions	commercial	40	+
Borax, hydrous	thinned	40	+	Potash lye, hydrous	40%	40	+
Boric acid, hydr.	thinned	40	+	Patassium permanganate	6%	20	+
Brandy	commercial	20	+	Propane, liquid	100%	20	+
Bromine, liquid	100%	20	–	Prussic acid		60	+
Butane, gaseous		20	+	Salicylic acid		60	+
Butadiene	50%	60	+	Sea water		60	0
Butanol	10%	20	+	Sebacic acid	100%	60	+
Butyric acid, hydr.	20%	20	+	Silicone oil	100%	20	+
Calcium chloride		60	0	Soda, hydrous	thinned	40	+
Camphor oil	100%	20	+	Sodium chloride	thinned	40	+
Carbon tetrachloride	100%	20	0	Spirits, all types	commercial	20	+
Carbon dioxide, dry	100%	60	+	Succinic acid, hydrous		60	+
Chlorine, gaseous, dry	100%	20	+	Sulphur		60	0
Chlorine, gaseous, moist	0.5%	20	+	Sulphuric acid, hydrous	40%	40	+
Chlorine, liquid		20	–	Tannic acid	10%	60	0
Chlorine water	saturated	20	0	Tetrahydrofuran	100%	20	–
Chromic acid, hydr.	50%	40	+	Toluene	100%	20	–
Citric acid, hydr.	10%	40	+	Tincture of Iodine	commercial	20	–
Copper sulphate, hydr.	thinned	40	+	Urea, hydrous	10%	40	+
Diesel oil	100%	20	+	Urine		40	+
Ethyl-alcohol	96%	20	+	Vaseline oil	100%	20	–
Formaldehyde, hydr.	thinned	40	+	Vinegar	commercial	40	+
Formic acid	100%	20	+	Water	100%	40	+
Freon 12	100%	20	+	Water steam		40	0
Gasoline	100%	60	+	Wines, red and white	commercial	20	+
Gelatin, hydr.		40	+	Zinc salts	saturated	60	0
Glycerine, hydr.		60	+	Zinc sulphate, hydrous	thinned	40	+
Heating oil		20	0				

+ Resistant, 0 Resistant in certain conditions, – Unsuitable

IBOCO...Performance, Reliability and Value

Innovation. IBOCO's wiring duct system and wire management products are uniquely designed to simplify the installation process and provide the user many time/money saving solutions.

Brand Name Assurance. As a subsidiary of the European leader in wire management.

The BOCCHIOTTI S.p.A. Group, IBOCO's name represents total product integrity from manufacturing, quality assurance and worldwide certifications: UL, CSA, CE, UNI EN ISO 9001:2000 and others.

Opportunity. IBOCO offers numerous marketing and sales partnership strategies to our valued customers. Our customers are assured that IBOCO will continue to support its network of stocking distributors.

Commitment. Since 1986 IBOCO has built its solid reputation in the industry on innovative wiring duct products and total service. We realize a quick response is vital to the success of your business. IBOCO's large physical inventory and 24 hour shipment policy on all catalog items, confirms our commitment to you.



Originality. IBOCO will continue to provide product innovation and design that offer our distributors and end-users strategic marketing/sales programs, one of the industry's largest available inventories and unprecedented service levels. Specifying IBOCO assures the end-user time saving advantages, international certification and quality assurance guarantees.

Contact our expert factory staff or local sales representatives to answer all of your wiring duct system application questions.



IBOCO Corporation
26 Northfield Ave.
Edison, NJ 08837-3807
Tel. 732-417-0066 Fax 732-417-1166
e-mail: iboco@iboco.com www.iboco.com