

PIN #	COLOR
1	WHITE
2	RED
3	GREEN / YELLOW
4	ORANGE
5	BLACK

REVISIONS			
REV.	DESCRIPTION	DATE	APPROVED
A	INITIAL RELEASE	7/23/2004	
B	CORRECTED	7/14/2006	

D

D

C

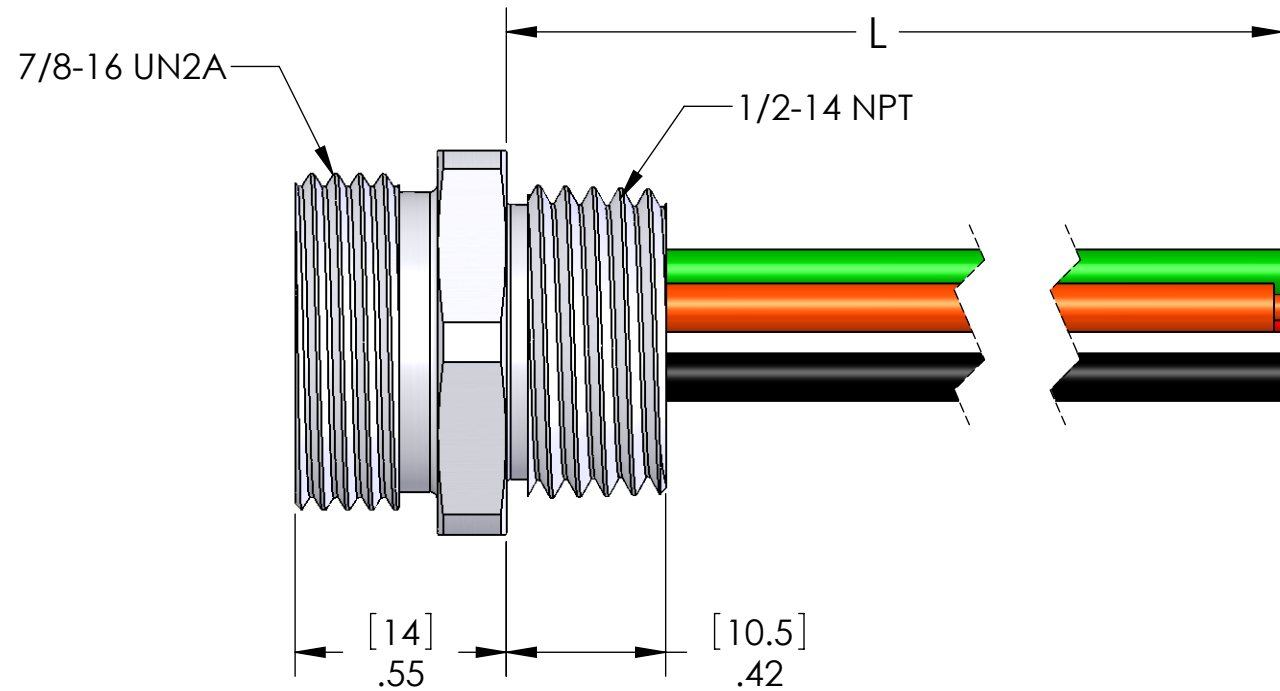
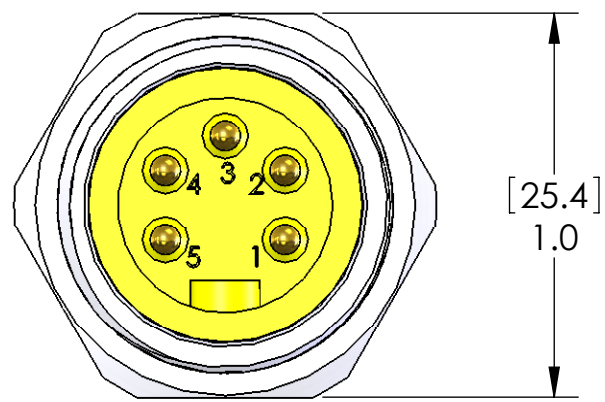
C

B

B

A

A



FOR LENGTHS OF 24" AND LONGER AN O-RING AND LOCKNUT ARE INCLUDED

TABLE A	
P/N	L
MIN-5MR-1	12" [0.3m]
MIN-5MR-2	24" [0.6m]
MIN-5MR-3	36" [0.9m]
MIN-5MR-4	48" [1.2m]
MIN-5MR-6	72" [1.8m]
MIN-5MR-10	120" [3.0m]
MIN-5MR-15	180" [4.6m]
MIN-5MR-20	240" [6.0m]

MATERIAL	
BODY:	CLEAR ANODIZED ALUMINUM
CONTACTS:	GOLD PLATED COPPER ALLOY
INSERT:	YELLOW PVC
WIRE:	16AWG UL 1015
LOCKNUT:	ZINC PLATED STEEL
O-RING:	NBR

APPROVALS	
U.S.	UL RECOGNIZED
CANADA	C-UL RECOGNIZED

PROPRIETARY AND CONFIDENTIAL
THE INFORMATION CONTAINED IN THIS DRAWING IS THE SOLE PROPERTY OF MENCOM CORPORATION. ANY REPRODUCTION IN PART OR AS A WHOLE WITHOUT THE WRITTEN PERMISSION OF MENCOM CORPORATION IS PROHIBITED.

VOLTS	600V
AMPS	8A
TEMP	105°C

SPECIFICATIONS

UNLESS OTHERWISE SPECIFIED:	
DIMENSIONS ARE IN INCHES AND [MM]	
MATERIAL	
FINISH	
DO NOT SCALE DRAWING	

NAME	BEM
DRAWN	
CHECKED	
ENG APPR.	
MFG APPR.	
Q.A.	
COMMENTS:	

MENCOM CORPORATION		
TITLE: 5 POL MALE RECP 16AWG		
SIZE B	DWG. NO. MIN-5MR-ZZ	REV B
SCALE: 2:1	WEIGHT:	SHEET 1 OF 1

8

7

6

5

4

3

2

1