

Evolution Power supply 3-phase, primary switched IN: 360-520VAC OUT: 22-28V/20ADC

INPUT: 3×360...520 V AC/480...745 V DC

OUTPUT: 24 V DC ± 1%

Current: 20 A

Image

- stable output voltage, (short-circuit and overload protected)
- Wide voltage input

Vicarious picture

Input

Input voltage	3 × 324...572 V AC/480...745 V DC
Input current	3 × 1.3 A
Inrush current after 1 ms	max. 19 A
External fuse	max. 3 × 20 A
Frequency	50...60 Hz

Output

Output voltage	24 V DC (SELV), ±1 %; 22...28 V adjustable
Output current	20 A (+55 °C); 15.8 A (+70 °C)
Powerboost	+150 % (min. 4 sec.)
Mains failure bridging time	min. 19 ms (400 V AC)
Ripple	max. 50 mV rms
Short-circuit and overload protection	yes
Spikes	max. 100 mV p-p
LED display	LED (green): OK; LED (red): overload
Parallel usage/serial usage	max. 5 units/max. 2 units

General data

Standards	(EN 60950-1), (EN 61204-3), (EN 55011 A)
Temperature range	-25...+70 °C (storage temperature -40...+85 °C)
Relative humidity	5...95 %, no condensation
Efficiency	90 %
Mounting method	DIN-rail mountable TH35 (EN 60715)
Dimensions H × W × D	132 x 113 x 136 mm
Protection	IP20

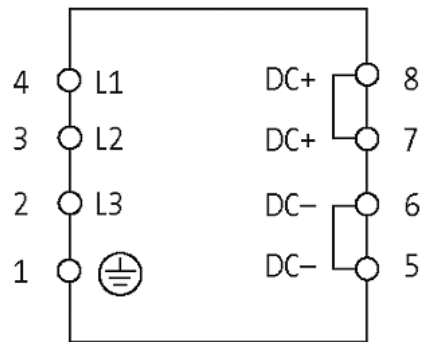
Commercial data

Net weight	2000
Weight unit	Gram
Basic unit	pc.
Customs tariff number	85044090
Unit (piece)	1
Minimum order quantity (piece)	1

All data on this data sheet was compiled carefully.

Liability regarding correctness, completeness, and actuality is limited to gross negligence. Created: 01/15

Circuit diagram



Dimension drawing

