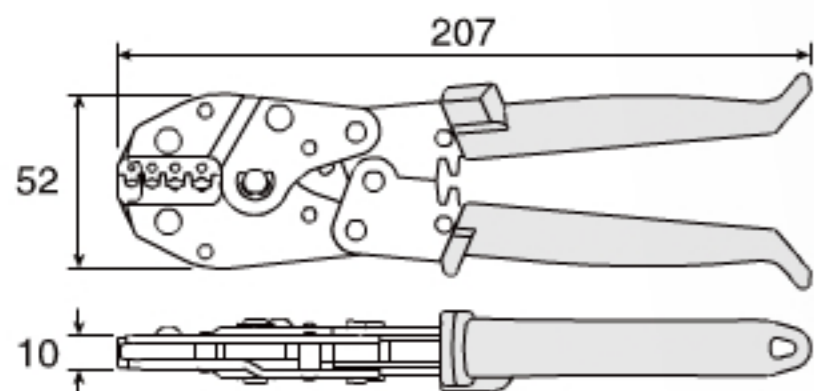


For insulated terminals and connectors

Leaves a crimp mark on the terminal.



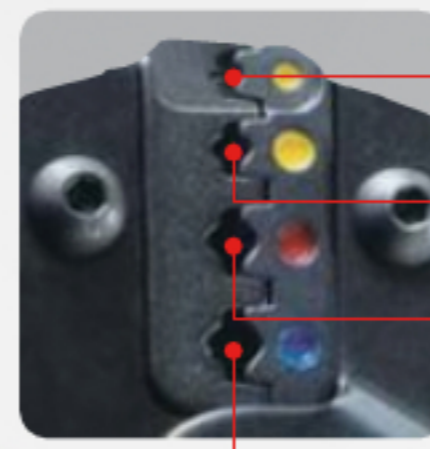
P-743 CRIMPING TOOL



● The handle opening width is adjustable to be used in small width.

■ Sizes: 0.3 / 0.5 / 1.25 / 2

■ Weight: 350 g



Nominal sizes	Connector manufacturer	Compatible wire sizes (reference)		Crimp marking
		AWG#	mm ²	
0.5*	JST Fuji Terminal Industry	24 to 22	0.2 to 0.3	●
0.3 / 0.5*	Common to all manufacturers	24 to 20	0.2 to 0.5	●●
1.25		20 to 16	0.5 to 1.65	1
2		16 to 14	1.04 to 2.63	2

* For JST and Fuji Terminal Industry brand "noted terminals" with a nominal size of 0.5, and a wire size of 0.2 to 0.3 mm², the appropriate die must be selected according to the wire type.

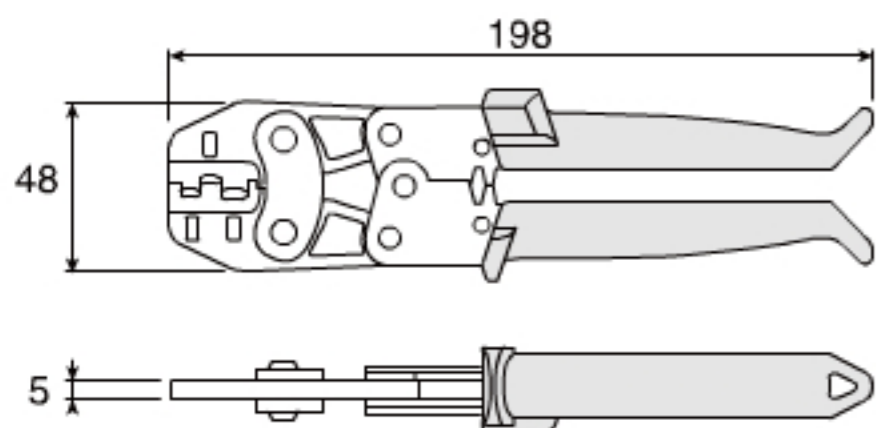
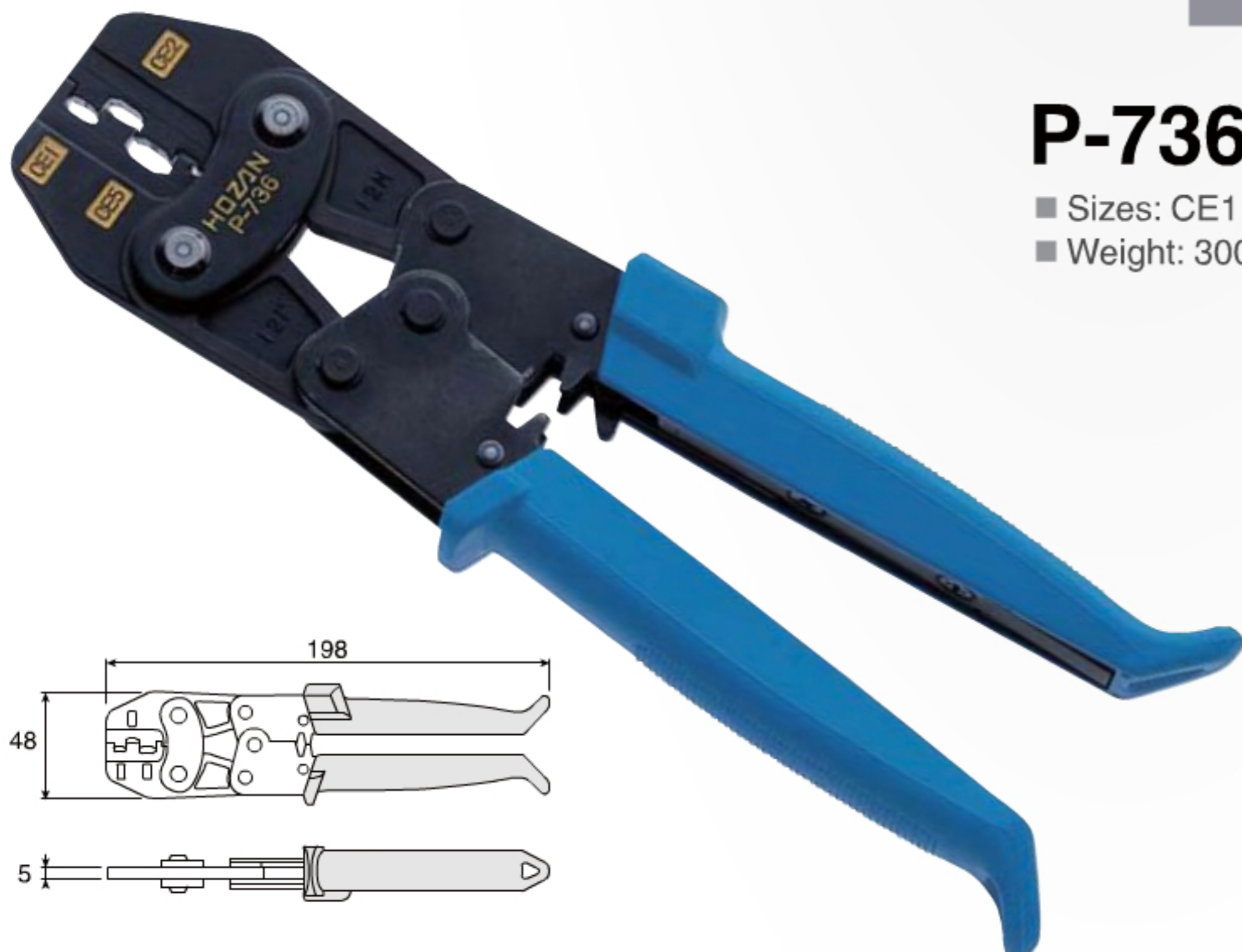
COMPLETE
CRIMPING
MECH.

RELEASE LEVER

ELASTOMER
GRIPS

For insulated closed end terminals

Leaves a crimp mark on the terminal.



P-736 CRIMPING TOOL



■ Sizes: CE1 / CE2 / CE5

■ Weight: 300 g



COMPLETE
CRIMPING
MECH.

RELEASE LEVER

ELASTOMER
GRIPS