

PTE Ø56mm LED Modular Style Steady & Flashing with Buzzer

TOWER LIGHTS



- LED modular components
- Bright & even light distribution through prism-cut lenses
- Fast & easy assembly with inter-locking construction
- 3 base body options
- Optional 85dB Buzzer (fixed or adjustable volume)
- NEMA 4x / IP65 rated
- RoHS compliant



Order Information

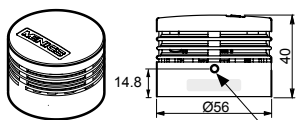
PTE - **A** **F** - **3** **02** - **RYGBC**
 ① ② ③ ④ ⑤ ⑥

① Top Head Style	PTE	Standard
	PTD	Dome Head
② Body Unit Mounting / Connection	A	Pole Mounting/ Lead Wires
	S	Surface Mounting / Lead Wires
	TP	Pole Mounting/ Terminal Connection
	TC	Surface Mounting/ Terminal Connection
③ Light Style		Steady Light
	F	Steady & Flashing Light
④ Number of Stacks	1	1 Light
	2	2 Lights
	3	3 Lights
	4	4 Lights
	5	5 Lights
⑤ Power Supply	02	DC/AC 24V
	FF	AC 90~240V
⑥ Lens Colors (top to bottom)	R	Red
	Y	Yellow
	G	Green
	B	Blue
	C	Clear

Buzzer Kits (Optional)

Buzzer Style	Part Number
Fixed Sound Level	MPZ-56F
Adjustable Sound Level	MPZ-56G

*Note: Max. number of tier including Buzzer is 5.



Sound Level Adjuster

See Page 13-14
for Mounting Options and Accessories.

Optional Orders

Body Units

Body Type	Voltage	Part Number		
		Steady	Steady & Flashing	
Lead Wire Connection	Pole Mounting	AC 90~240V	PTE-A-FF	PTE-AF-FF
		DC/AC 24V	PTE-A-02	PTE-AF-02
	Surface Mounting	AC 90~240V	PTE-S-FF	PTE-SF-FF
		DC/AC 24V	PTE-S-02	PTE-SF-02
Terminal Connection	Pole Mounting	AC 90~240V	—	PTE-TP-FF
		DC/AC 24V	—	PTE-TP-02
	Surface Mounting	AC 90~240V	—	PTE-TC-FF
		DC/AC 24V	—	PTE-TC-02

LED Modules

LED Color	Part Number	
	Standard Module	Dome Head Module
RED	PTE-02-R	PTD-02-R
Yellow	PTE-02-Y	PTD-02-Y
Green	PTE-02-G	PTD-02-G
Blue	PTE-02-B	PTD-02-B
*Clear	PTE-02-C	PTD-02-C

*Clear Module cannot be used with Buzzer.

Locking Bolts

Number of LED Stacks	Part Number	Size
1 Stack	B-PTE-1	M4, 65mm
2 Stacks	B-PTE-2	M4, 105mm
3 Stacks	B-PTE-3	M4, 145mm
4 Stacks	B-PTE-4	M4, 185mm
5 Stacks	B-PTE-5	M4, 225mm

*Note: Do NOT count Buzzer as a stack.



Specifications

Body Units

Operation/Function	Steady/ Flashing	
Power Supply	AC/DC 24V (±10%)	AC 90~240V 50/60 Hz (±10%)
Buzzer Sound Level	Fixed: 85dB Adjustable: 10~85dB	
Lens Color	Red, Yellow, Green, Blue & Clear	
Lens Diameter	56 mm (2.2 inch)	
Maximum Tier	5	
Flash Rate	80 times/ minute	
Vibration	3mm at 10~55Hz	
Ambient Temperature	-15°C~40°C	
Storage Temperature	-40°C ~ 70°C	
Ambient Humidity	45~85% RH	
Degree of Protection	NEMA 4x, IP65 / IP50 (with Buzzer)	
Approvals	CE , UL, RoHS	
Recommended Wire Size	1007 UL / 22 AWG	

LED Modules

		Red	Yellow	Green	Blue	Clear
Current / Power	Standard Module	27mA / 0.65W		35mA / 0.84W		
	Dome Head Module	58mA / 2.64W		52mA / 1.25W		53mA / 1.27W
Weight		Standard Module: 42.8g Dome Head Module: 53g				

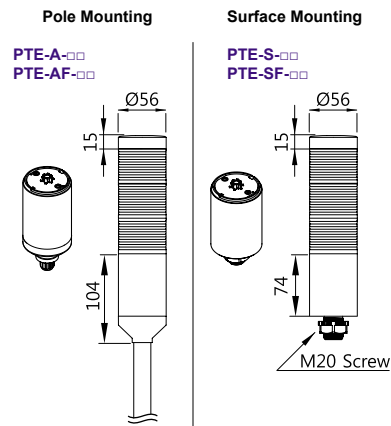
Buzzer Kits

Model	MPZ-56F	MPZ-56G
Style	Fixed Sound Level	Adjustable Sound Level
Sound Level	85 dB	10~85 dB
Current Consumption / Power	30mA / 0.72W	30mA / 0.72W
Weight	32.2g	33g

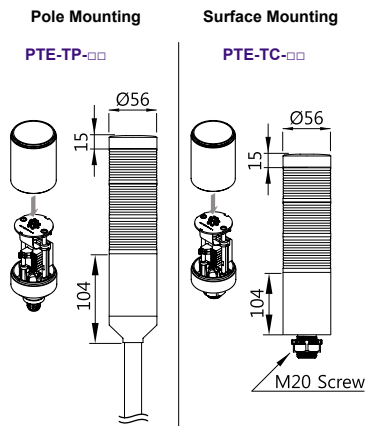
Dimensions

unit: mm

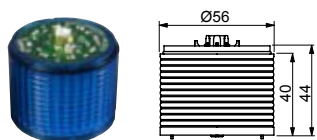
Lead Wire Connection



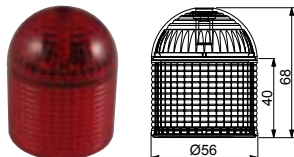
Terminal Connection



Standard Modules



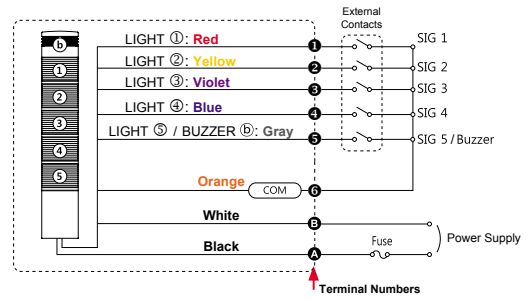
Dome Head Modules



Wiring Diagram

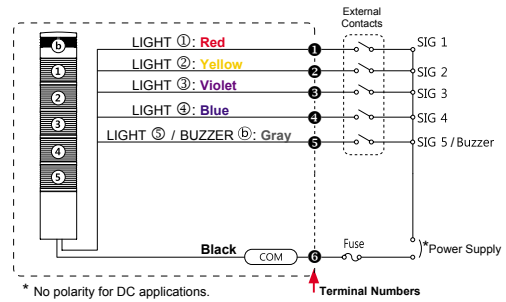
AC 90~240V Steady Lights

PTE-A-FF PTE-S-FF



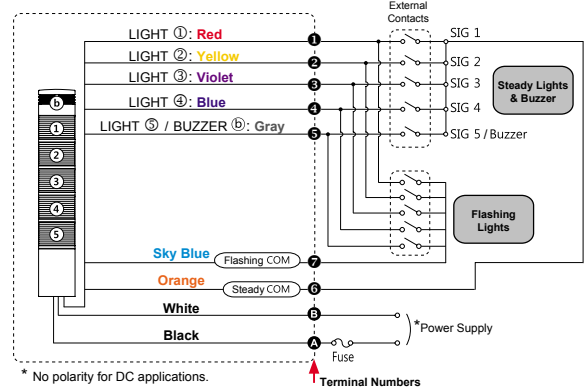
DC/AC 24V Steady Lights

PTE-A-02 PTE-S-02

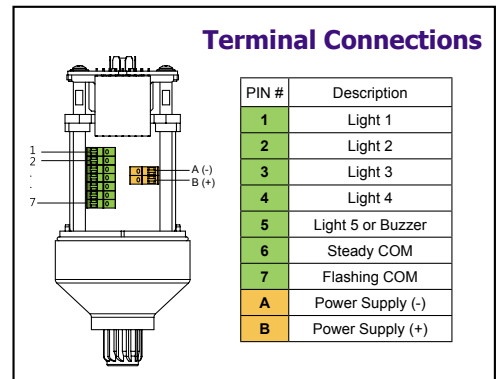


AC 90~240V DC/AC 24V Steady & Flashing Lights

PTE-AF-02 PTE-AF-FF
PTE-SF-02 PTE-SF-FF
PTE-T□-02 PTE-T□-FF



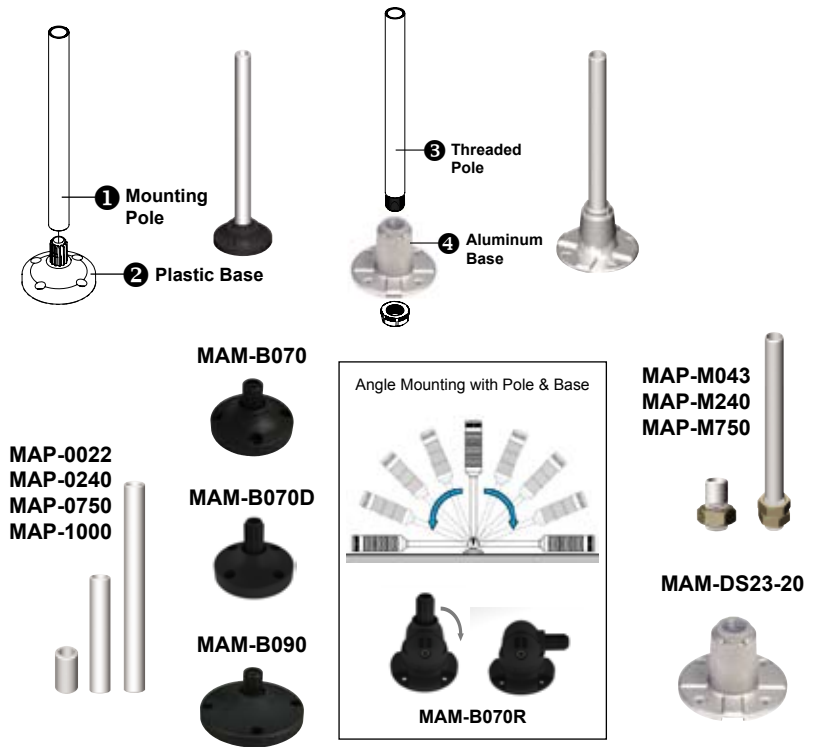
Terminal Connections



Pole Mounting with Base

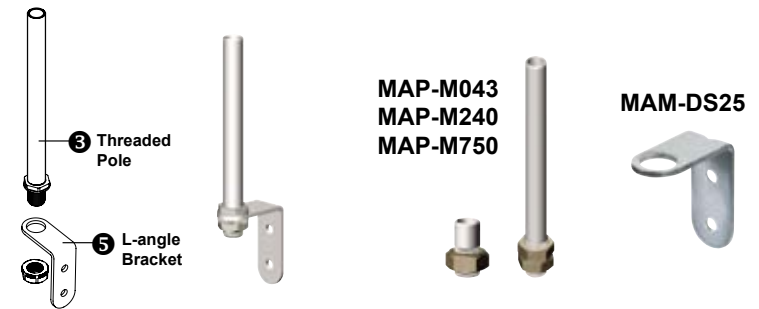
Part	Part #	Description
1	*MAP-0022	Ø20mm, 0.87 in (22 mm) pole
	MAP-0240	Ø20mm, 9.45 in (240 mm) pole
	MAP-0750	Ø20mm, 29.53 in (750 mm) pole
	MAP-1000	Ø20mm, 39.37 in (1000 mm) pole
2	MAM-B070	Ø70mm Plastic Base
	MAM-B070D	Ø70mm Plastic Base with Water-Proof Rubber Gasket
	MAM-B070R	Ø70mm Plastic Base with 180° rotating pole holder
	MAM-B090	Ø90mm Plastic Base
3	MAP-M043	Ø20mm, 1.69 in (43 mm) threaded pole with 1 nut
	MAP-M240	Ø20mm, 9.45 in (240 mm) threaded pole with 2 nuts
	MAP-M750	Ø20mm, 29.53 in (750 mm) threaded pole with 1 nut
4	MAM-DS23-20	Aluminum Base

* MAM-0022 CANNOT be used with PTE & PTM Series.



L-angle Mounting with Bracket

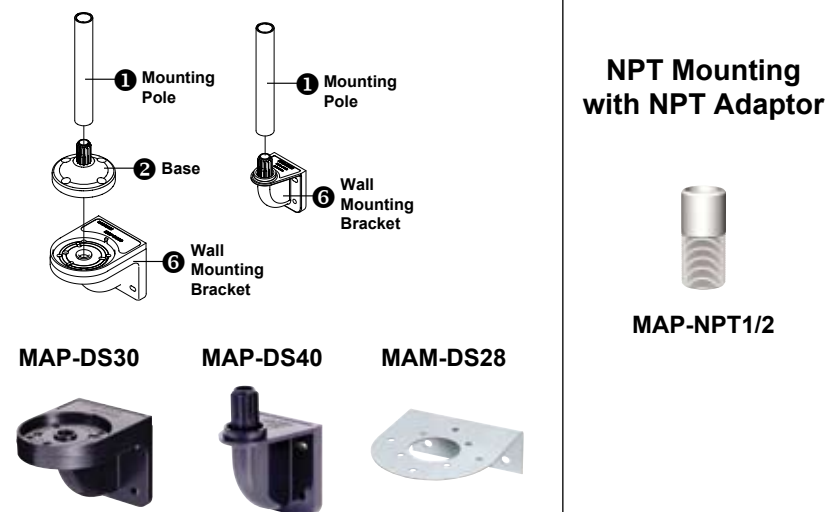
Part	Part #	Description
3	MAP-M043	Ø20mm, 1.69 in (43 mm) threaded pole with 1 nut
	MAP-M240	Ø20mm, 9.45 in (240 mm) threaded pole with 2 nuts
	MAP-M750	Ø20mm, 29.53 in (750 mm) threaded pole with 1 nut
5	MAM-DS25	L-angle Bracket



Wall Mounting with Bracket

Part	Part #	Description
1	*MAP-0022	Ø20mm, 0.87 in (22 mm) pole
	MAP-0240	Ø20mm, 9.45 in (240 mm) pole
	MAP-0750	Ø20mm, 29.53 in (750 mm) pole
	MAP-1000	Ø20mm, 39.37 in (1000 mm) pole
2	MAM-B070	Ø70mm Plastic Base
	MAM-B070D	Ø70mm Plastic Base with Water-Proof Rubber Gasket
6	MAP-DS30-BLK	Plastic Wall Mounting Bracket, Black (Pole & Base required)
	MAP-DS30-BGE	Plastic Wall Mounting Bracket, Beige (Pole & Base required)
	MAP-DS40-BLK	Plastic Wall Mounting Bracket, Black (Pole required)
	MAP-DS40-BGE	Plastic Wall Mounting Bracket, Beige (Pole required)
	MAM-DS28	Metal Wall Mounting Bracket (Pole & Base required)

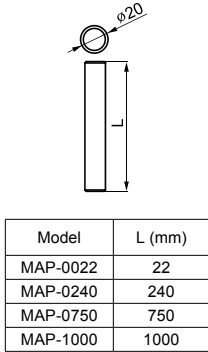
* MAM-0022 CANNOT be used with PTE & PTM Series.



Accessories

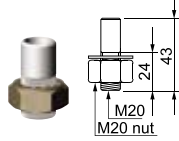
Mounting Poles

MAP-0022
MAP-0240
MAP-0750
MAP-1000

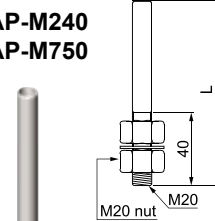


Threaded Poles

MAP-M043



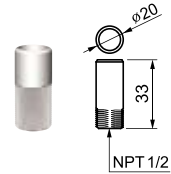
MAP-M240
MAP-M750



Model	L (mm)
MAP-M240	240
MAP-M750	750

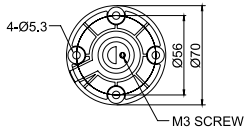
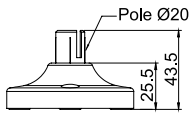
NPT Adaptor

MAP-NPT1/2

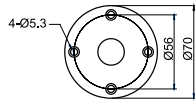
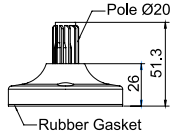


Mounting Bases

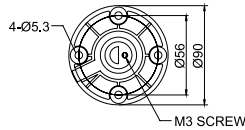
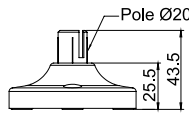
MAM-B070



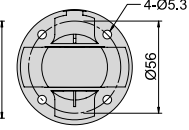
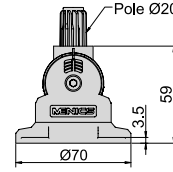
MAM-B070D



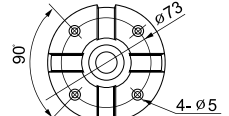
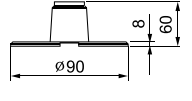
MAM-B090



MAM-B070R

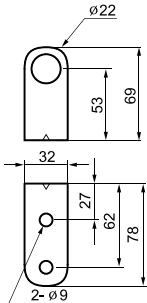


MAM-DS23-20

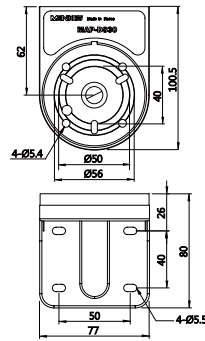


Wall Mount Brackets

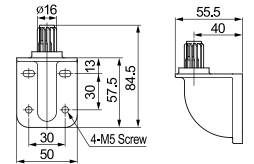
MAM-DS25



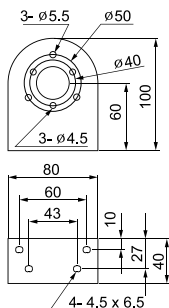
MAP-DS30



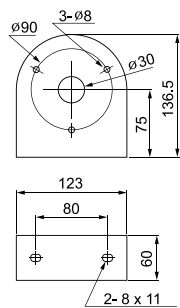
MAP-DS40



MAM-DS26



MAM-DS27



MAM-DS28

